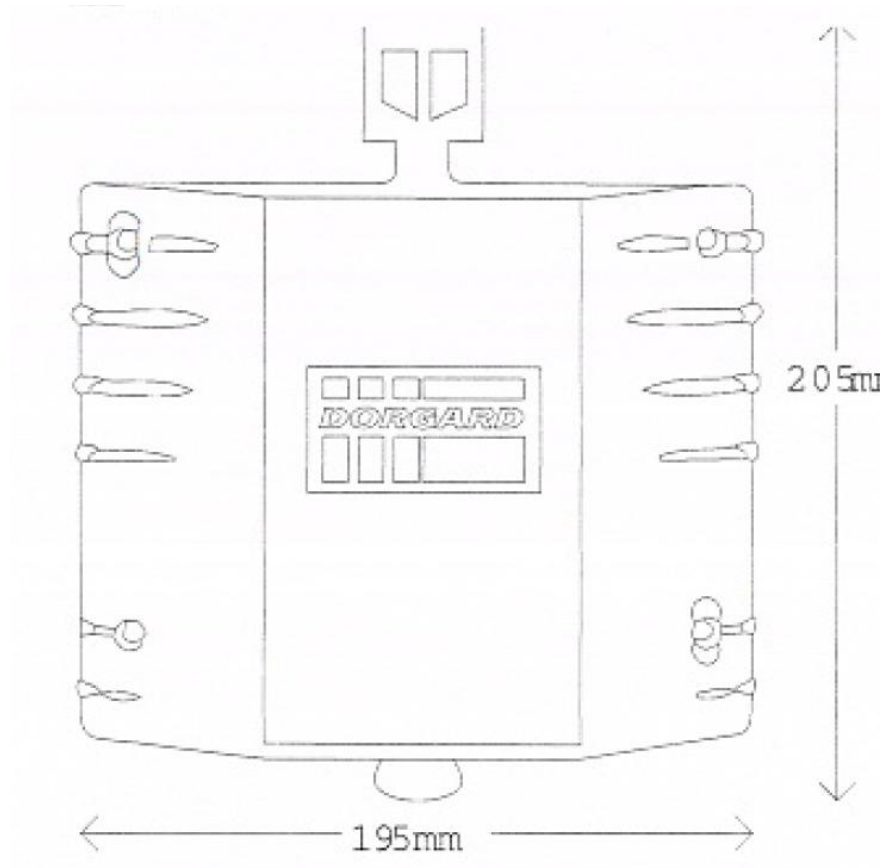


Dorgard

Dorgard 1328-A01 (acoustic fire door retainer)



Dimensions and Weight

- Overall Height: 205mm
- Main Casing Height: 150mm
- Width: 195mm
- Depth: 45mm
- Packed Kit Weight: 950g
- Product only (including batteries): 700g