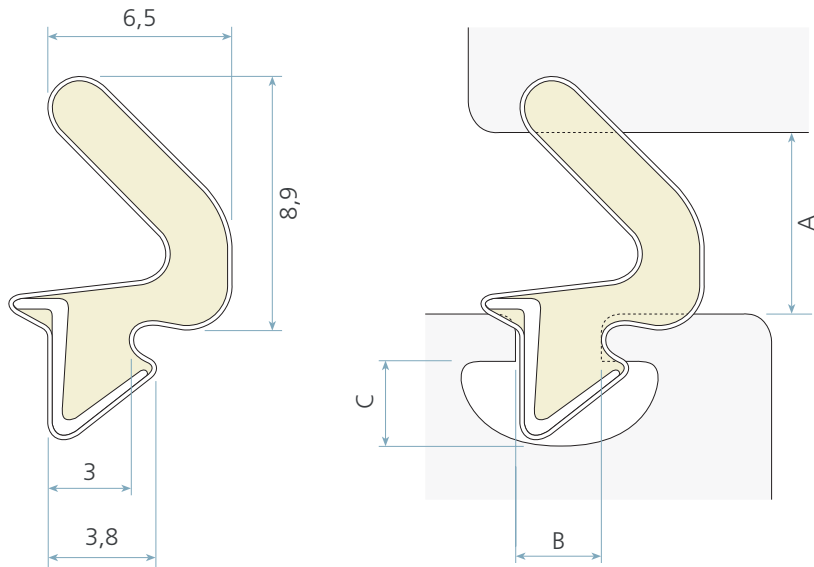


# Q-Lon 9257

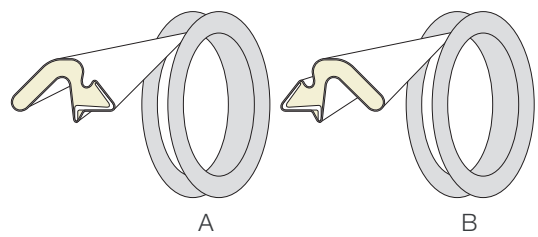


## Technical specification

- A Seal gap – 4,5 mm minimum to 7,1 mm maximum
- B Retention slot throat – 3 mm nominal
- C Minimum pocket depth – 3 mm

Part number	Colour	Metres/Coil	Coil direction	Application
02792570	White	200	A	Weatherseal
02792572	Black	200	A	Weatherseal

## Coil direction



**Schlegel Acquisition Holdings Limited trading as Schlegel International**  
 Unit 25, Henlow Industrial Estate, Henlow Camp, Bedfordshire, SG16 6DS United Kingdom

All dimensions are in mm and are nominal. Schlegel reserve the right to change specification without prior notice.  
 Schlegel's names and logos and all related trademarks (including 'SCHLEGEL', 'SCHLEGEL Red Square Logo', 'Red Square Logo' and 'Q-Lon'), trade names, and other intellectual property are the property of Schlegel Acquisition Holdings Limited trading as Schlegel International and cannot be used without its express prior written permission. All rights reserved.  
 © Schlegel Acquisition Holdings Limited trading as Schlegel International 2013.