



Legge®

Lockmakers since 1881



5 Lever Insurance Approved Security Lock

64mm and 76mm

CERTIFIED TO THIEF RESISTANT BRITISH STANDARD 3621: 2004.

- This product range has 1000 key variations.
- Steel case with hardened steel anti-drill plates.
- Anti-Saw bolt
- 5 close gated levers with built-in anti-pick device.
- Strong, steel box striking plate.
- Latch bolt may be reversed to suit left or right hand doors.
- Easy fit replacement for most mortice locks of the same overall width.
- Mortice lock follower suitable for 5/16" or 8mm spindle.
- Rebated conversion sets available 13mm & 25mm No. 42.
- Keyhole aperture protected by curtain.
- Steel, plated, unnumbered keys.
- The box striking plate is constructed from STEEL to resist attack and to meet the requirements of British Standard BS3621: 2004 for Thief Resistant Locks.

FITTING INSTRUCTIONS

Fire Door Installation:

Please note: When installing this product to an EN 1634 compliant Timber based Fire Door the lock case must be bedded on an Interdens Intumescent Seal, 1mm thick to ensure that the door integrity is maintained in a fire situation.

1. Mark a central vertical line down the edge of the door at the selected position.

Position lock centrally against line and mark around lock case.

Cut or drill out a slot to suit lock case ensuring a good but not overtight fit.

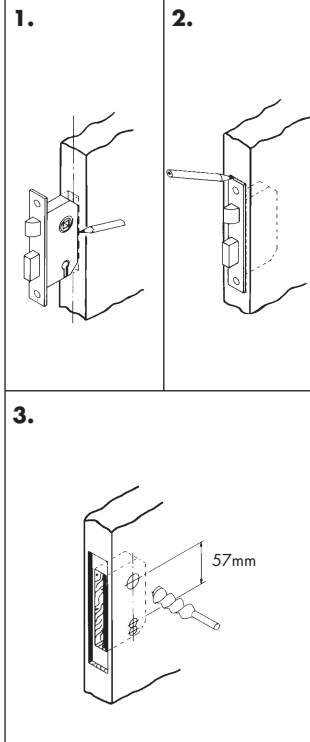
2. Insert lock into door with loose forend held in position, mark around forend, remove lock and recess door 4.5mm deep to allow flush fitting.

Using template, on reverse of this sheet, mark on door position of spindle and keyhole.

- 3 Drill a 19mm hole for the spindle and two 10mm holes for the key from both sides into the mortice.

If latch bolt requires reversing (Fig. A):-

- a) Separate outer forend.
- b) Grip latch bolt tight and pull out.
- c) Turn through 180° and release to spring back into lockcase.
- d) Replace outer forend.



TOOLS REQUIRED: Screwdriver Pozidrive No. 2 Point
10 and 19mm Drills
16mm Chisel

4. Remove all chippings from the mortice and insert lock into door with the loose forend in position.

Fix with two No. 8 screws provided.
Check operation of lock.

5. With lock bolt out, close door to frame and mark on both latch bolt and lock bolt positions.

6. Transfer the lines of both bolts onto the edge of the frame.

Position the striker plate (ensure latch head lines up with edge of striker by measuring distance Fig. B) and drill or cut out the frame to accept the box of the striker (22mm deep), insert box into hole and mark around striker plate.

Recess wood, mark screw holes and countersink to ensure flush fitting of striker plate.

Secure the striker plate with two of the four No. 10 screws provided.

Fit door furniture and check lock operates freely with door closed.

Adjust striker if necessary and fix with remaining screws.

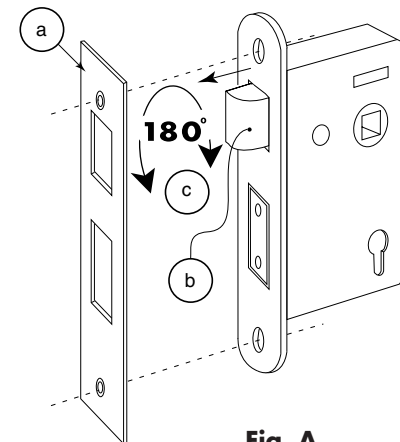
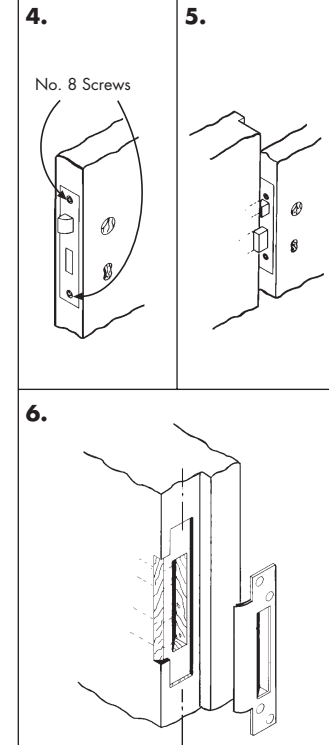
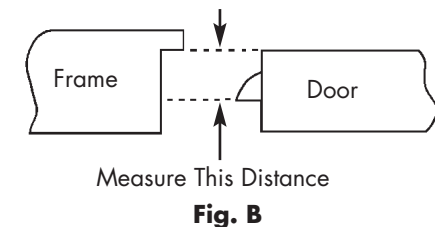


Fig. A



Measure This Distance

Fig. B

TEMPLATES

Please check you have the correct template for your lock before proceeding.

