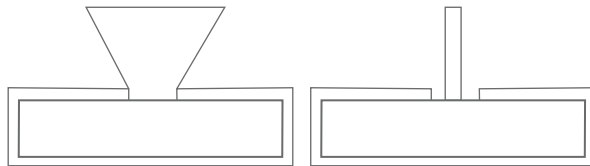


Tools

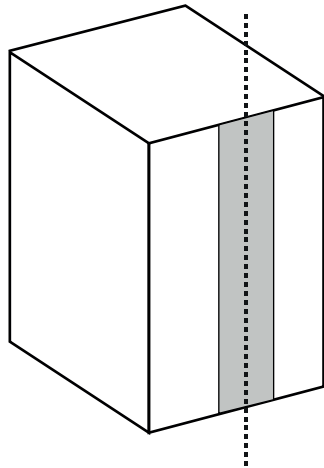


Tools Required:  
Pencil  
Tape Measure  
Saw/Hacksaw  
Router

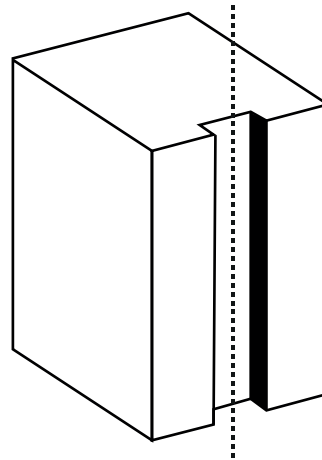


Seal type varies. E.g. brush, fin.

- 1** The seal needs to be located centrally in either the door leaf or frame.



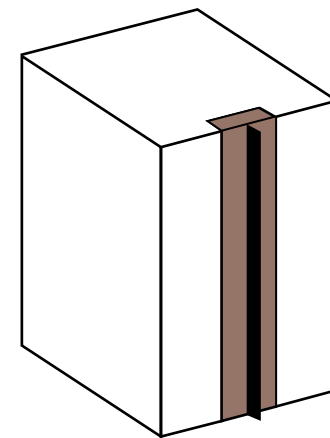
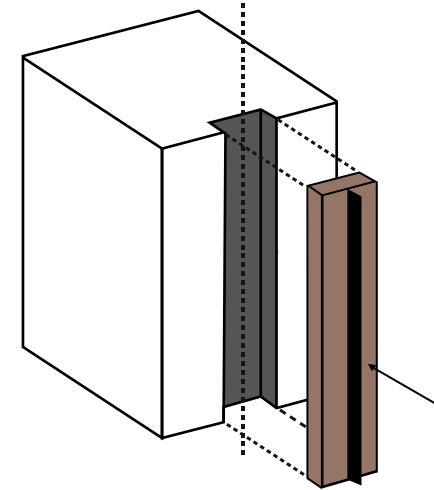
- 2** Rout a groove suitable for the size of intumescent seal selected. Clean the rebate to remove any dust.



- 3** Measure and cut seal to length using a hacksaw. Remove self-adhesive backing and butt joint fit all seals to inside and outside of door frame or door, and meeting stiles of pairs of doors where applicable.

Pressure must be applied to activate adhesive backing. Remove the self-adhesive backing liner from the product and push fit into the routed groove.

- 4** To achieve excellent adhesion seals must be applied to clean, dry surfaces at temperatures between +5°C and +40°C.



Seal type varies. E.g. brush, fin.