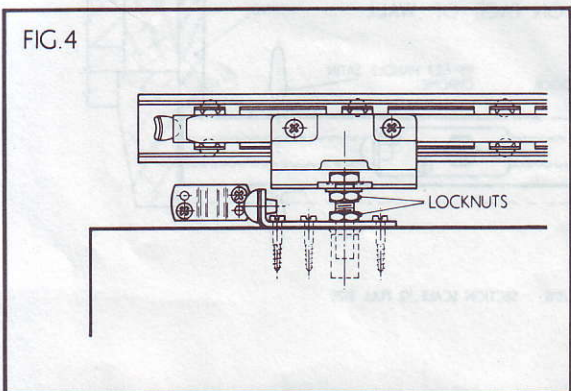
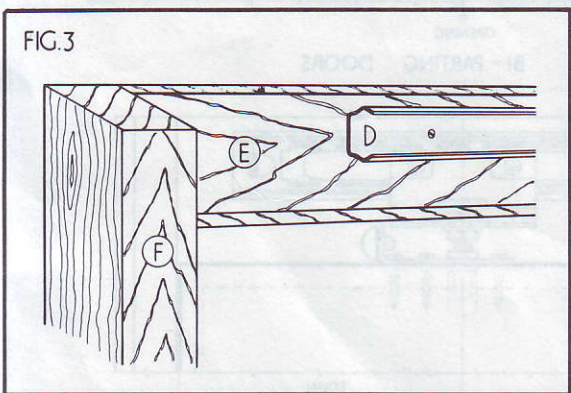
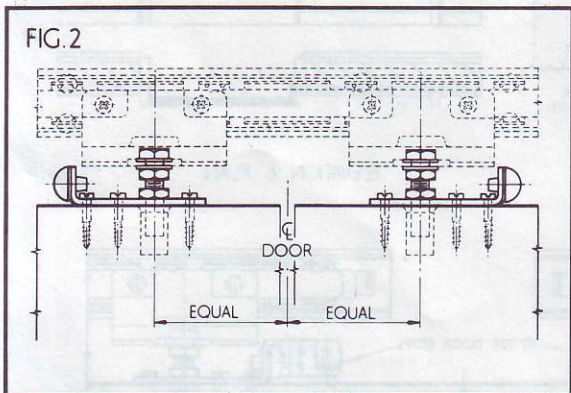
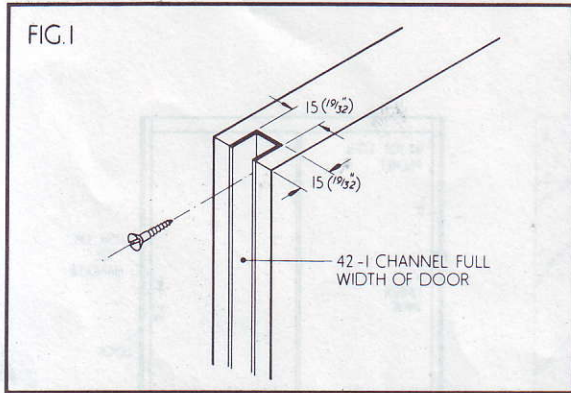


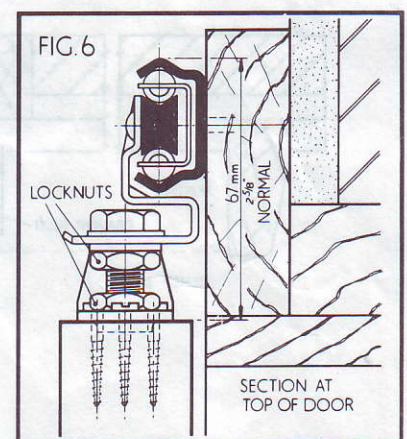
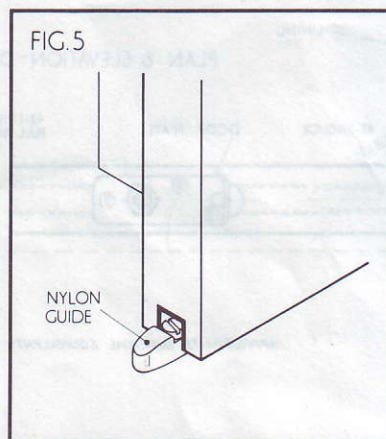


HILLALDAM COBURN LTD • UNIT 6 • WYVERN ESTATE • BEVERLEY WAY • NEW MALDEN • SURREY • KT3 4PH • ENGLAND

FLYASIDE PANTHER Panther One maximum door weight 55kg (120lb)



1. Study drawing on reverse side before installing gear.
2. Groove bottom of door to suit 42-1 channel size 15mm x 15mm ($\frac{1}{2}$ " x $\frac{1}{2}$ " cut channel to suit door. Fix with No. 6 x 19mm ($\frac{3}{4}$ " countersunk woodscrews – fig. 1.
3. Drill two 16mm ($\frac{5}{8}$ " diameter holes 25mm (1" deep for pendant bolts. Screw pendant bolts into door plates and fix as shown with six No. 10 x 25mm (1" cheese head screws. (The pendant bolt centres are fixed and should be equal distance from centre line of door – fig. 2. Take dimensions from centre line of hangers. Do not screw door plates into end grain of stiles.)
4. Stand door in closed position on 6mm ($\frac{1}{4}$ " packing. Position track by aligning pendant bolts with slots in hangers and arranging for the inner bar to stop 6mm ($\frac{1}{4}$ " clear of peg in end of track. On no account must this peg be used as a stop. Track must be perfectly level on track plate 'E' with top edge of track 67mm ($2\frac{5}{8}$ " above the final position of the top of door. Use bradawl for screw holes in order to avoid wood chips in track – fig. 3. Fix with seven No. 8 x 25mm (1" C/sk head screws.
5. Hang door by entering pendant bolt into slots in hangers. Adjust to give correct clearance under door and over face of wall and ensure that it closes evenly and flush with jamb 'F' – fig. 2. Tighten all lock nuts – fig. 3 and 6 and lightly grease running track.
6. Screw self aligning 42-371 guide to floor at edge of opening – fig. 5 with No. 10 x 32mm ($1\frac{1}{4}$ " cheese head screw. If door has to be taken down use 6mm ($\frac{1}{4}$ " packing again and tighten all nuts when rehanging doors as paragraph 5.
7. Fix 97-724 door stops with two No. 8 x 25mm (1" round head screws – fig. 4 at each end of door travel. Always use top hole on buffer side and bottom hole on other side. (These stops are not necessary if joinery detail shown overleaf has been followed or alternative jambs provided.)
8. Fix handles, lock and pelmet if required.
9. Check all nuts and screws for tightness from time to time and keep track lightly greased.



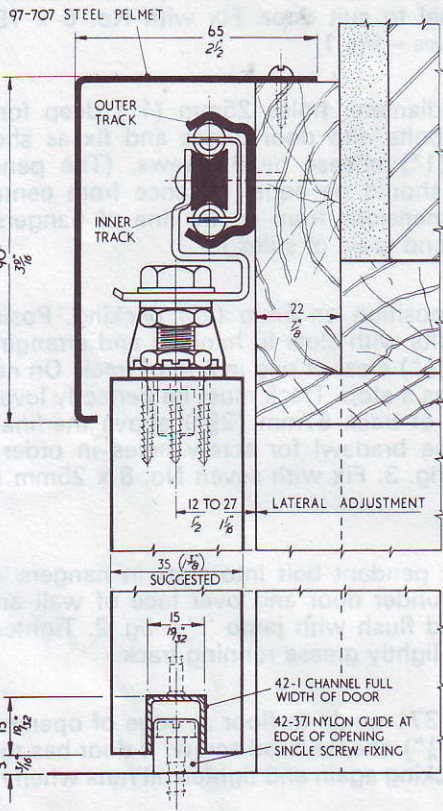
STEEL RUNNING TRACK.

TWO ROWS OF CAGED BALL BEARINGS

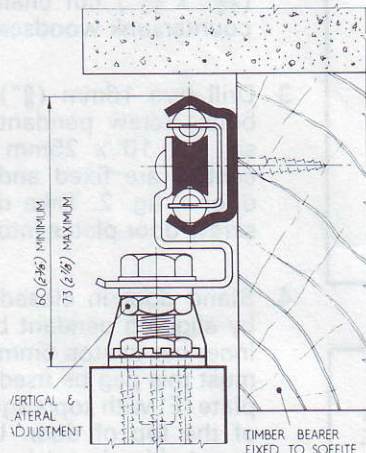
INNER BAR

DOOR PLATE WITH VERTICAL ADJUSTMENT
FIXING SCREWS IN TOP RAIL ONLY.

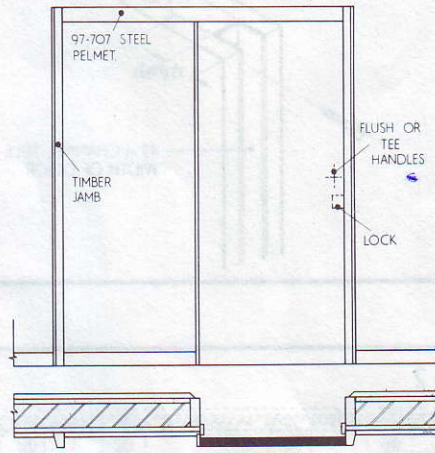
SLOTTED PENDANT BRACKET WITH LATERAL ADJUSTMENT & EASY REMOVAL OF DOOR



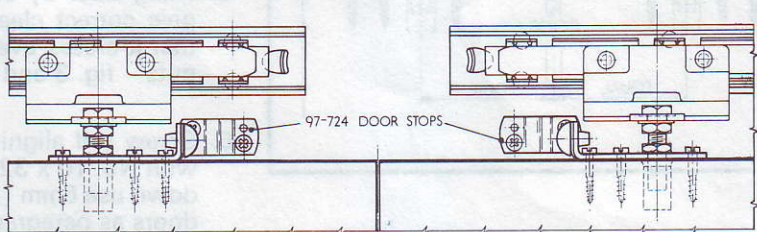
SECTION THRO' OPENING



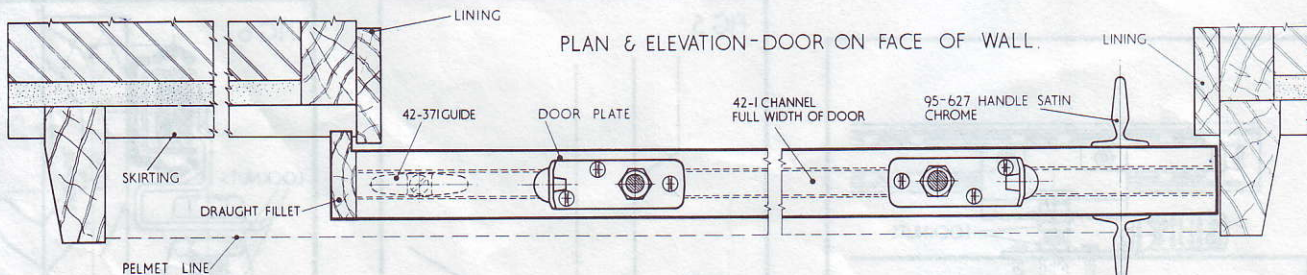
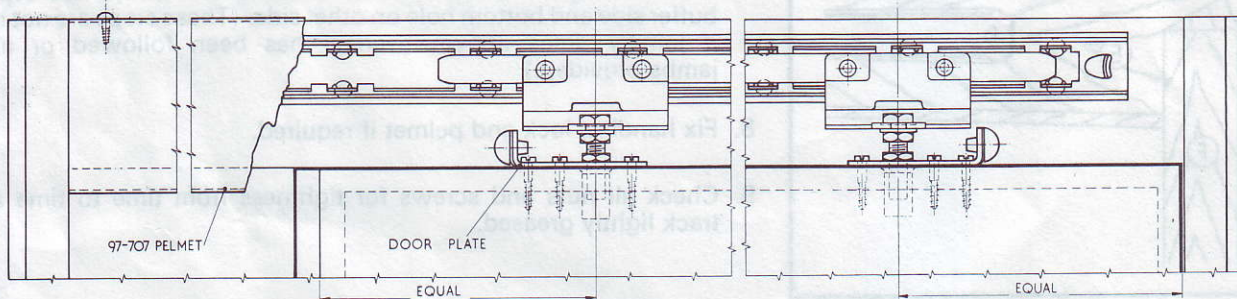
SOFFITE FIXING



ELEVATION & PLAN



BI-PARTING DOORS



PLAN & ELEVATION-DOOR ON FACE OF WALL.