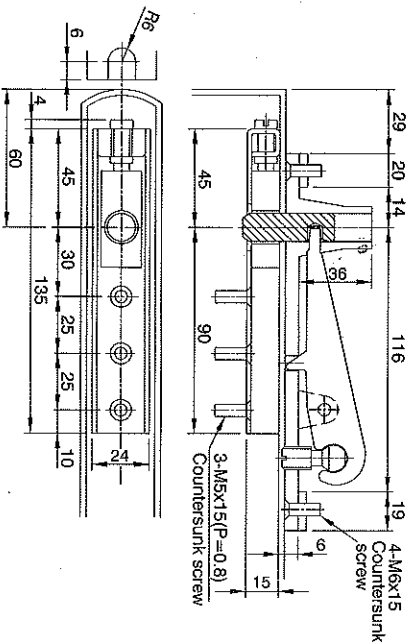
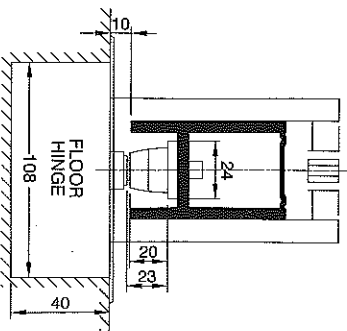
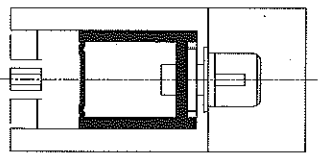
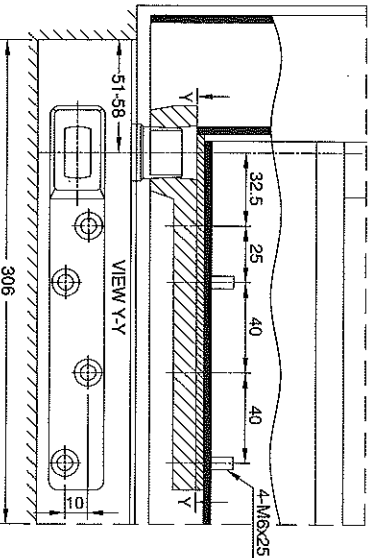


FIXING INSTRUCTION FOR DOUBLE ACTION ALUMINIUM AND WOOD DOORS ACCESSORIES



Ensure that top centre is properly aligned with floor spring

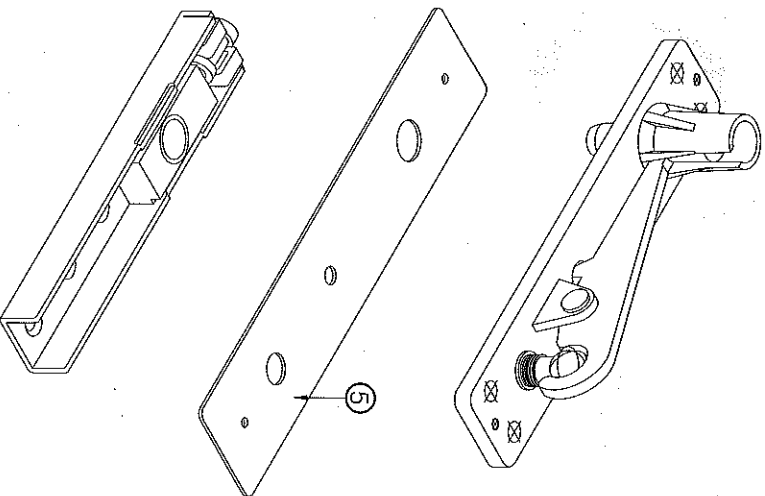


1. Preparation works

Mill or route door and frame to accept relevant top centre parts.

2. Top Centre - frame portion

To change the extended "throw" of the pivot pin 3 proceed as follows:
 Unscrew shoulder screw 4, turn adjustment screw 1 counter clockwise until pivot pin 3 and rocker arm 2 can be removed.
 Reassemble in pivot pin 3. Maximum "throw" is achieved with rocker arm 2 in position A.

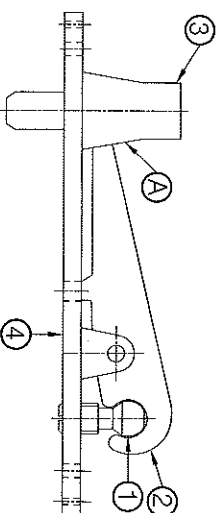


4. Installation of door

Bring door gently down onto floor spring; open door to gain access to top centre; lower pivot pin 3 into bearing by turning adjustment screw 1 clockwise.
 Ensure proper engagement of pivot pin into door portion of top centre.

5. Attachment of cover plate

Secure cover plate 5 to top centre frame portion by using two (2) M4x6 screws provided.



3. Top Centre - door portion

Install pivot to door section as shown.
 Ensure that the top centre is properly aligned with floor spring.