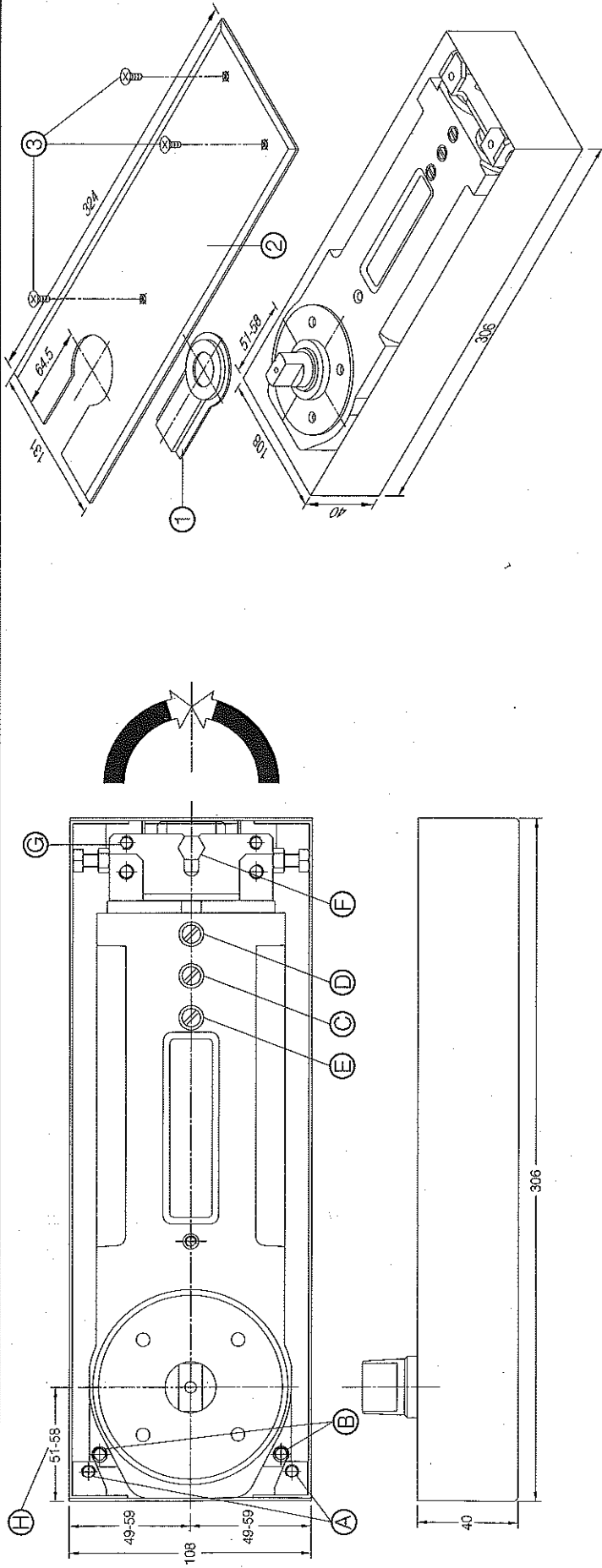


FIXING INSTRUCTION FOR DOUBLE ACTION DOOR*



Adjustment in cement box

To adjust the position of floor spring in cement box, (7mm length x 10mm width x 4mm height) loosen fixing screws **(A)** and **(F)**. Move floor spring to required position and use screws **(B)** and **(G)** for height adjustment. Retighten screws **(A)** and **(F)** after adjustment.

Centre hung doors

For centre hung doors, floor spring should be in the centre of cement box. Maximum door opening angle is 130° in each direction. For doors opening up to 130°, door stop **MUST** be fitted. Ensure that top centre is properly aligned with floor spring.

Adjustment of closing speed

Two regulating valves **(C)** and **(D)**. **(C)** decrease closing speed, **(D)** increase closing speed.
 Valve C : controlled closing range 130°~20°
 Valve D : controlled closing range 20°~0°

Attachment of cover plate

Press insert piece **(1)** into gap behind spindle and secure cover plate **(2)** to floor spring with fixing screws **(3)**.

- A = Fixing screw
- B = Height adjustment screw
- C = Closing speed 130°~20°
- D = Latching speed 20°~0°
- E = Adjustable back check force 70°~130°
- F = Fixing screw
- G = Height adjustment screw
- H = Pivot centre
- 1 = Insert piece
- 2 = Cover plate
- 3 = Fixing screw M5x6