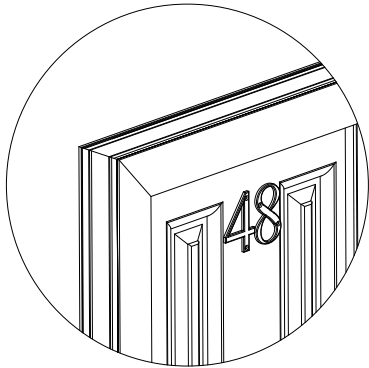


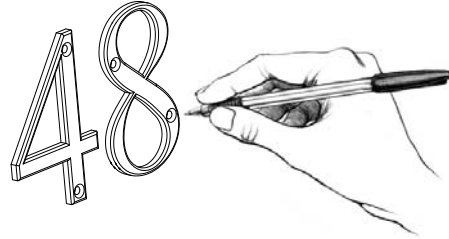
Fab & Fix Numerals

Fitting Detail

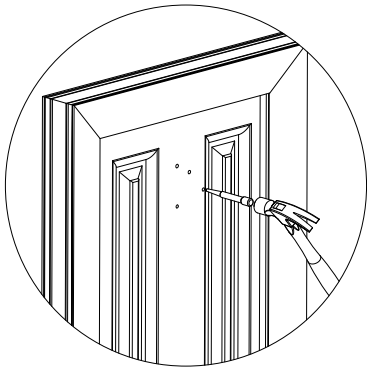
- 1 Locate the numerals on the door using a straight edge if necessary to ensure alignment.



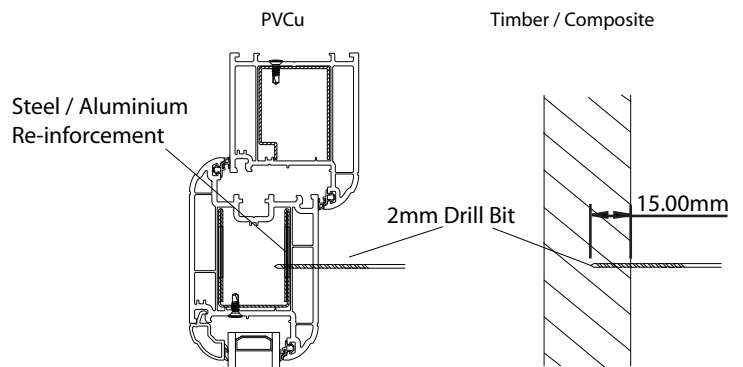
- 2 With the numerals correctly located mark the fixing holes with a pen or pencil.



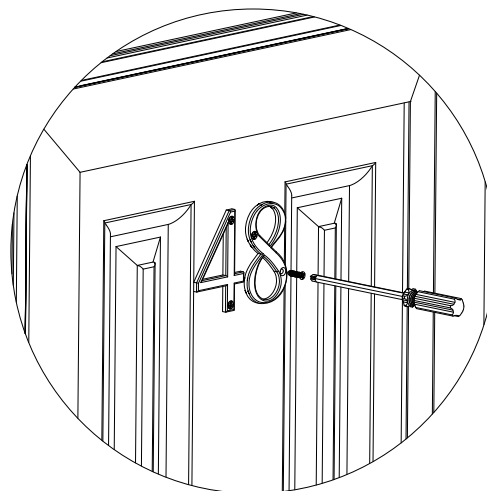
- 3 Remove the numerals. If available always use a drill punch to mark drilling positions using the pencil marks as a guide. The indent made by the point will ensure the drill does not slip.



- 4 If fitting to PVCu profile, use a 2mm drill bit to pre-drill the fixing holes ensuring the drill bit pierces the steel re-inforcement. If fitting to timber drill to a maximum depth of 15mm.



- 5 Align the numerals with their correct fixing hole location. Screw into place using the correct screwdriver PH1 and using the fixing screws provided.



General notes and guidelines:

The use of silicon or any other adhesive or chemical compound is not recommended in the assembly of this product. Such materials can cause a breakdown of the surface finish of both the hardware and the door.

Care should always be taken to protect both the surface of your door and the numeral itself when fitting - the majority of scratches are caused before the item is fitted.