

# Softclose Installation For Pocket Door Kit

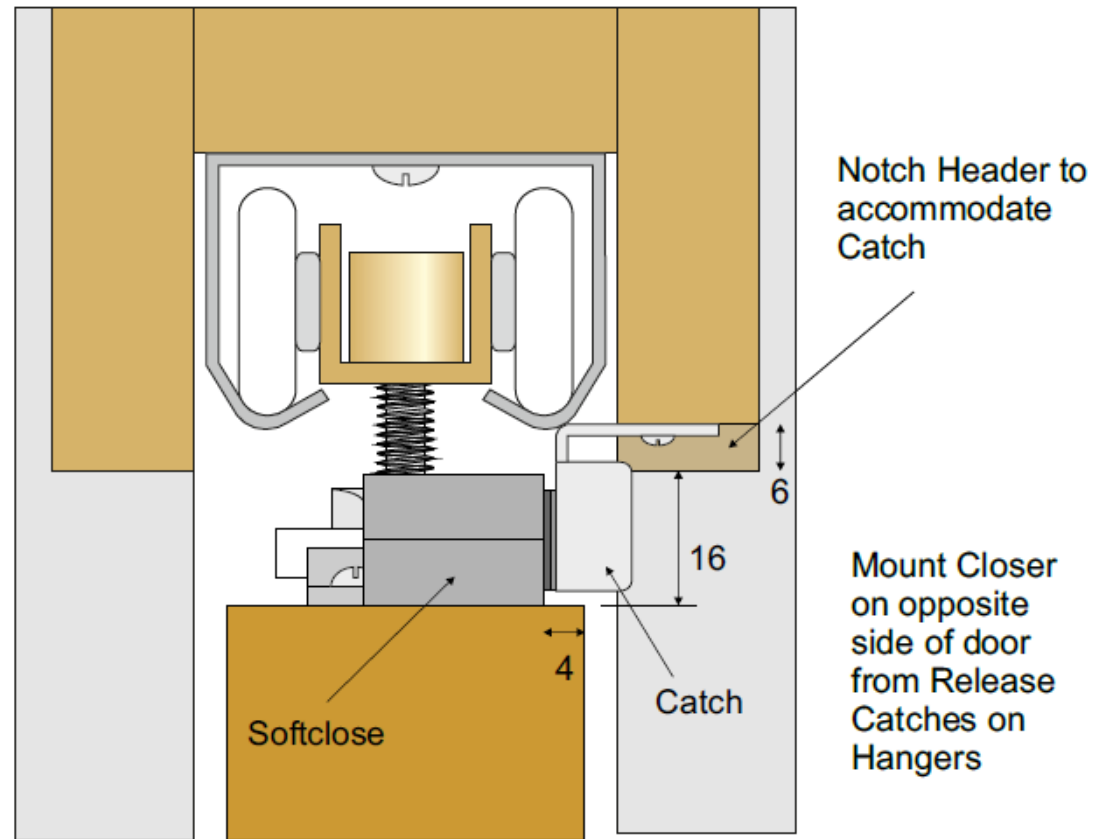
Our PD1 & PD2 kits can accommodate a Softclose Device and the details are shown here.

Please note that the Catch for the Softclose has to be notched into the Timber Header as shown.

Ensure once Catch is fitted that it does not foul the Hanger Plates as they pass.

The plan view below gives dimensions for positioning both Softclose and Catch. These dimensions are calculated when Door is in the closed position and tight against the Door Jamb.

Test once installed and adjust Catch if required. Only when happy should you then line the opening. Ensure any architraves are removable should further adjustment or repair be required in the future.



**Only suitable for doors wider than 686mm**

For doors between 686mm-734mm do not add the 25mm space between the soft close and the hanger, and reduce the distance from the door jamb to the catch from 319mm to 294mm (see drawing below).

## Plan View Showing Top Of Door & Hardware Positioning

