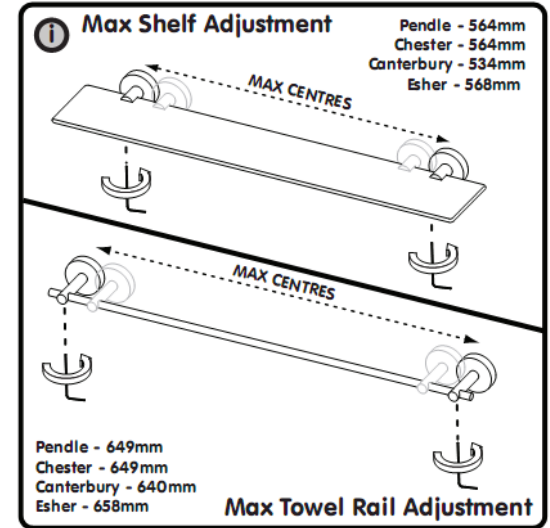


Flexi-Fix Screw fixing option

- Unique 'X' plate can be screwed to walls using the same fixing points left by most old accessories, no drilling required
- Old fittings can be replaced easily
- X' plate can be easily aligned with new and old fixing points
- No accurate drilling required
- Screws and fittings included
- Suits 90% of all competitor hole spacings



1.



Remove old accessory exposing existing fixing points.

2.



Align flexi-fix wall plate to existing fixing points rotating as necessary. Fix in place using the screws provided.

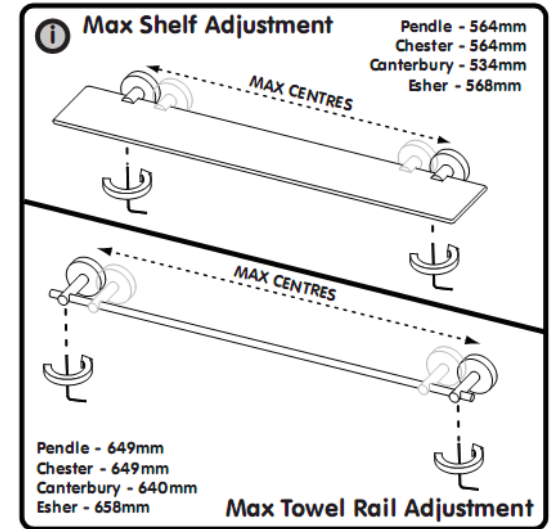
3.



Fix accessory in place with concealed grub screw using the allen key provided.

Flexi-Fix Glue fixing option

- Unique 'X' plate can be glued securely to uneven and shiny tiles or walls
- No drilling required
- Glue included
- Self-adhesive locator holds 'X' plate in place while glue hardens
- Glue can easily be removed in the future



1.



At the back of the accessory, peel protective film from self-adhesive alignment guide and position accessory in the desired location.

2.



Remove the accessory leaving the alignment guide positioned on the wall.

3.



Apply flexi-fix adhesive to the wall plate.

4.



Place wall plate over the alignment guide and secure in place with locking cam. Allow adhesive to set.

5.



Fix accessory in place with concealed grub screw, using the allen key provided.