

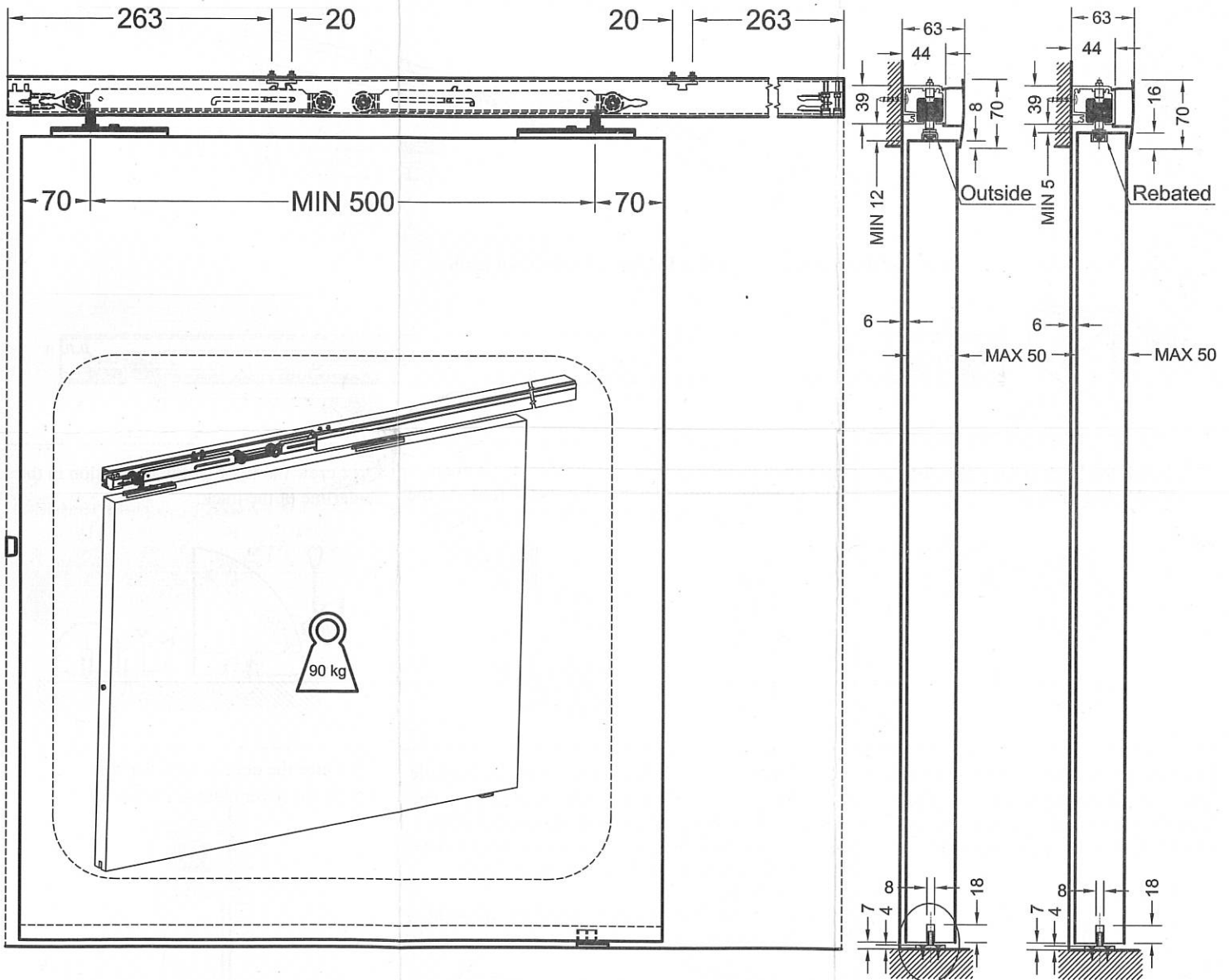
# TEXAS 90 SOFTCLOSE DOOR SYSTEM

## DOOR SPECIFICATION

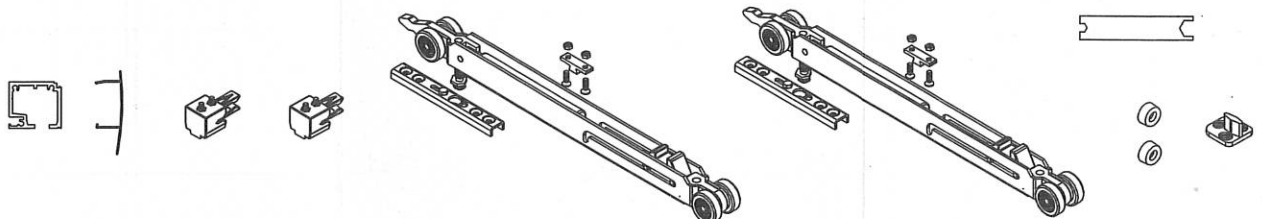
TRACK SYSTEM: TEXAS 90 SOFTCLOSE DOOR SYSTEM

For Individual Leaves:

Max Leaf Height	3000mm
Max Leaf Weight	90kg
Max Leaf Width	1000 mm
Min Leaf Thickness	40mm

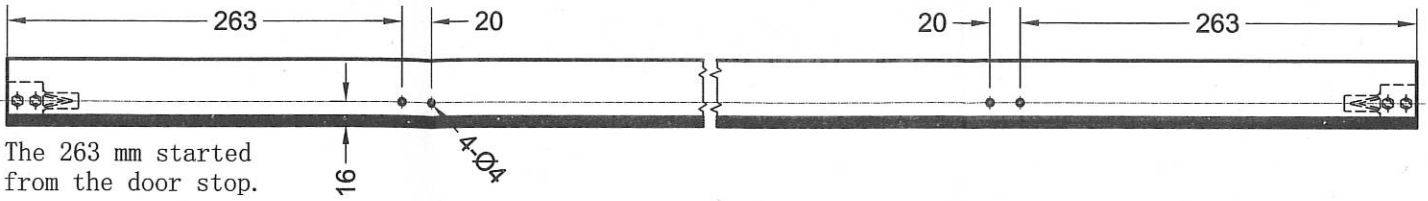


## Configuration

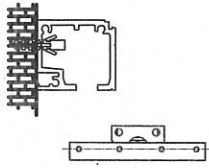


# TEXAS 90 SOFTCLOSE DOOR SYSTEM

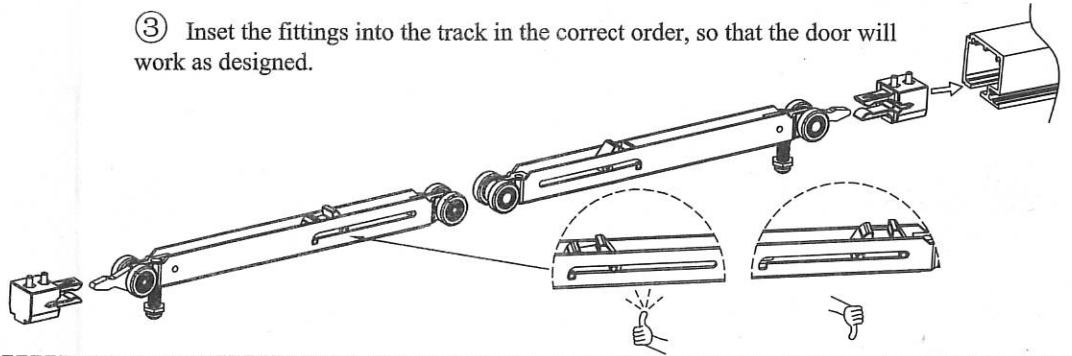
① Predrill the holes for the Soft Close activator bracket, See drawing 1a.



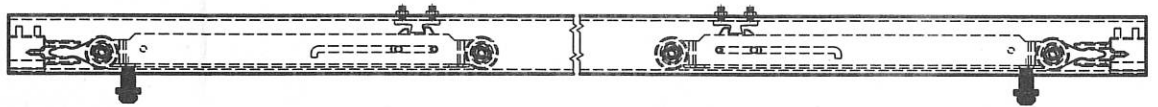
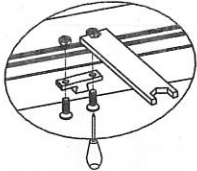
② Mark the track position on the wall using a pencil insuring that it is straight and level. Make sure you are using the correct quantities screws and anchors if required to hold the weight of the doors.



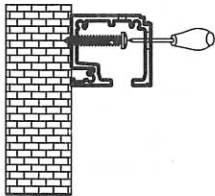
③ Inset the fittings into the track in the correct order, so that the door will work as designed.



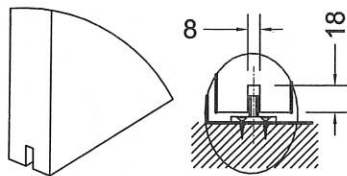
④ Screw the Door Stops in their correct position to stop the door from hit the door jamb.



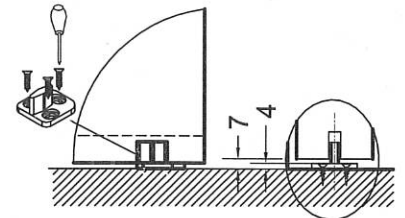
⑤ Screw the track to the wall in the predilled hole positions.



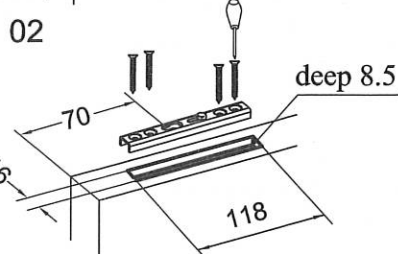
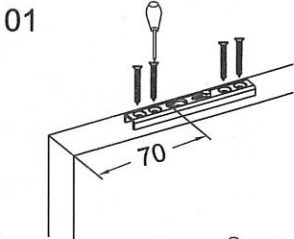
⑥ Cut the Guide groove into the door the correct size, Oversize a little is better that undersized, As the door will slide roughly and squeak if it is too tight.



⑦ Screw the floor Guide in position in the centerline of the track.

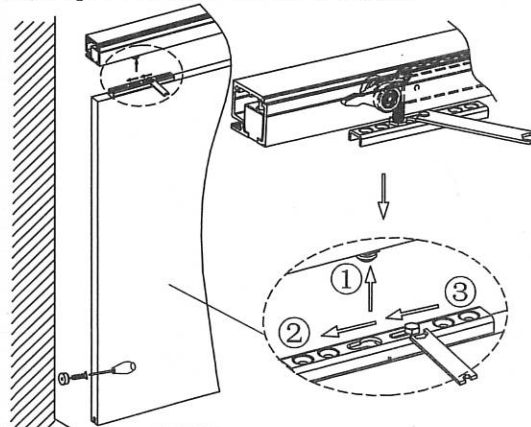


⑧ Fit the hanger mount to the door. Either surface mounted or flush fitted into the door. Flush fitting will give a smaller gap at the top of the door.



⑨ Mount the Hanger to the door using the keyhole slot in the mounting plate and slide the locking plate into place to stop the hanger from sliding out while door is in use. Use the spanner provided to slide the securing plate forward and tighten and lock the hanger in place.

If the door is not level, use the spanner to adjust the hanger up or down to make the door level.



⑩ Once the door is level and true clip on the cover plate as shown.

