

# Barrierfold Fitting Instructions

## Top Hung Stainless Steel Folding Door Hardware

### Specifications;

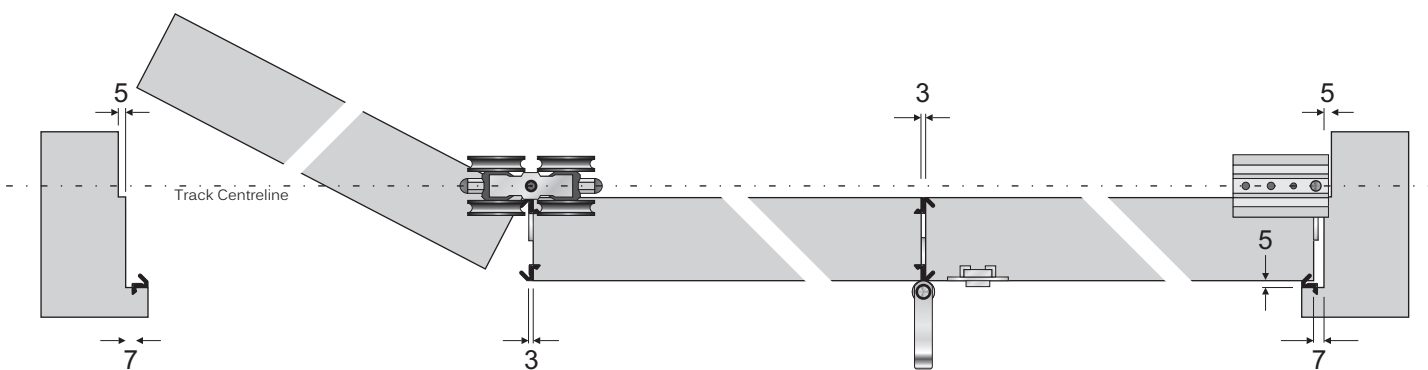
Maximum Leaf Width: 1000mm  
 Maximum Leaf Height: 3300mm  
 Maximum Leaf Weight: 90Kg's

**1** Ensure you have selected the correct hardware for your door layout - See below;



Please note that for doors above 2400mm high we recommend extra hinges and can offer extended flush bolts.

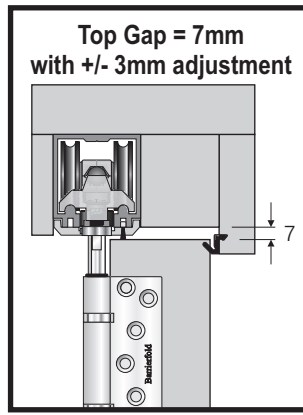
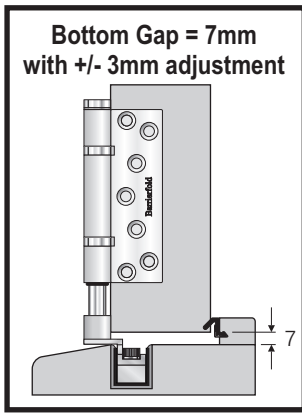
**2** Joinery Details - Ensure your doors are made to the correct size for the opening using the following calculations for spacings between jambs;



#### Example for above 3 door layout.

Total gaps = 7mm + 3mm + 3mm + 7mm = 20mm  
 Total width of opening (between jambs) = 2700mm  
 2700mm - 20mm = 2680mm  
 Each leaf Width = 2680mm ÷ 3 = 893mm per leaf

**Please note that the last leaf of a even leaf system must be 15.5mm longer. Please factor this into the above formula by deducting 15.5mm (or 31mm if 2+2 or 4+4) from total width of opening between jambs and then add 15.5mm to the last leaf (or 31mm for meeting leaves).**



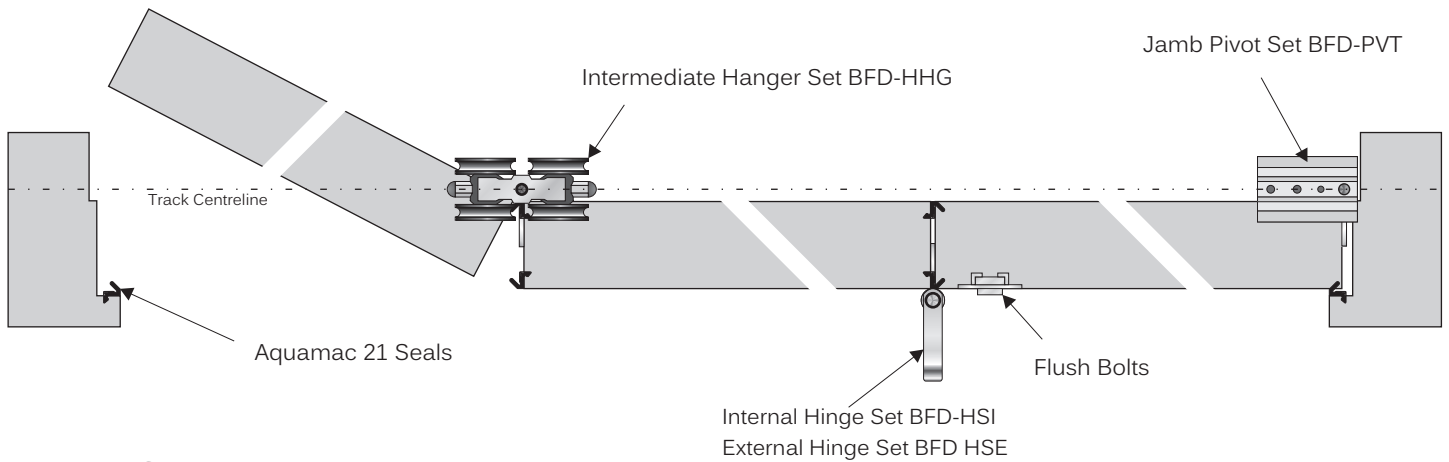
For the height of the leaves the total gaps should total 14mm (adjustment of +/- 3mm is available).

**Therefore formula is;**

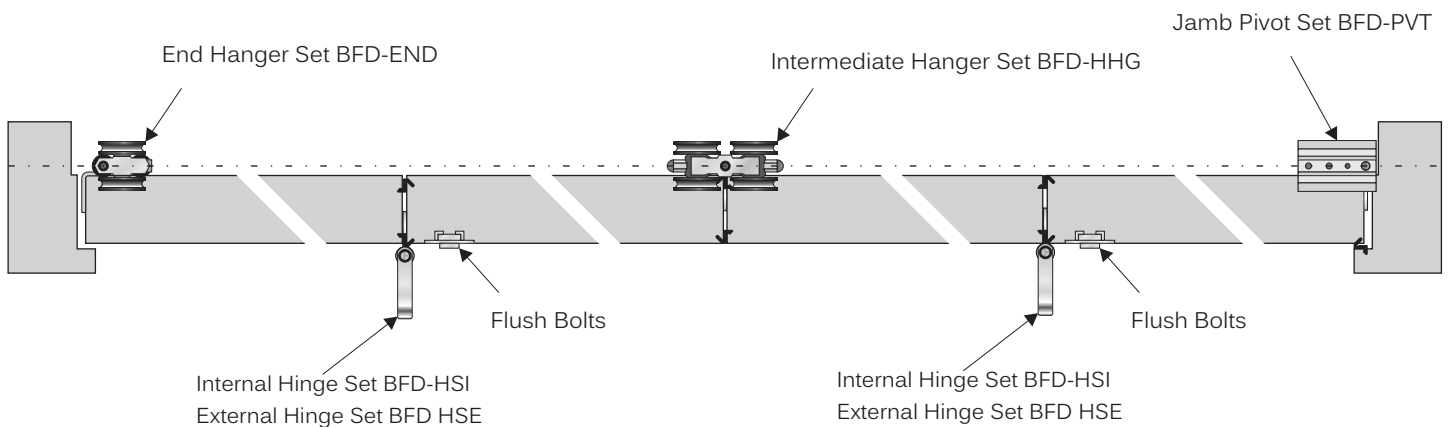
Height of opening - Total gaps = **Door height.**

**3 Leaf Preparation - Below are the 3 examples of where hardware should be located.**

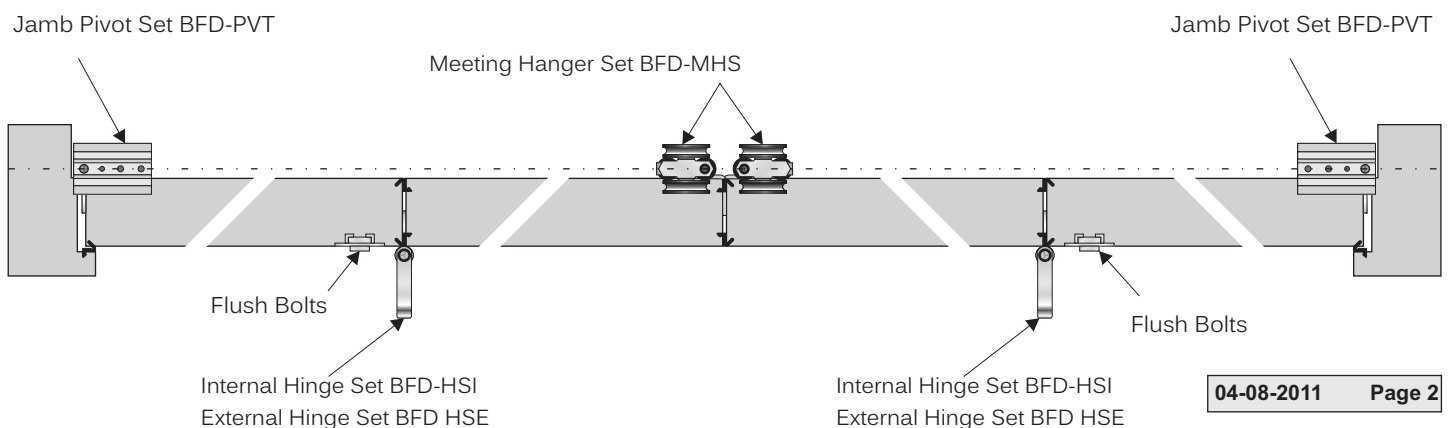
**3 Door Set Layout**



**4 Door Set Layout**



**2+2 Door Set Layout**

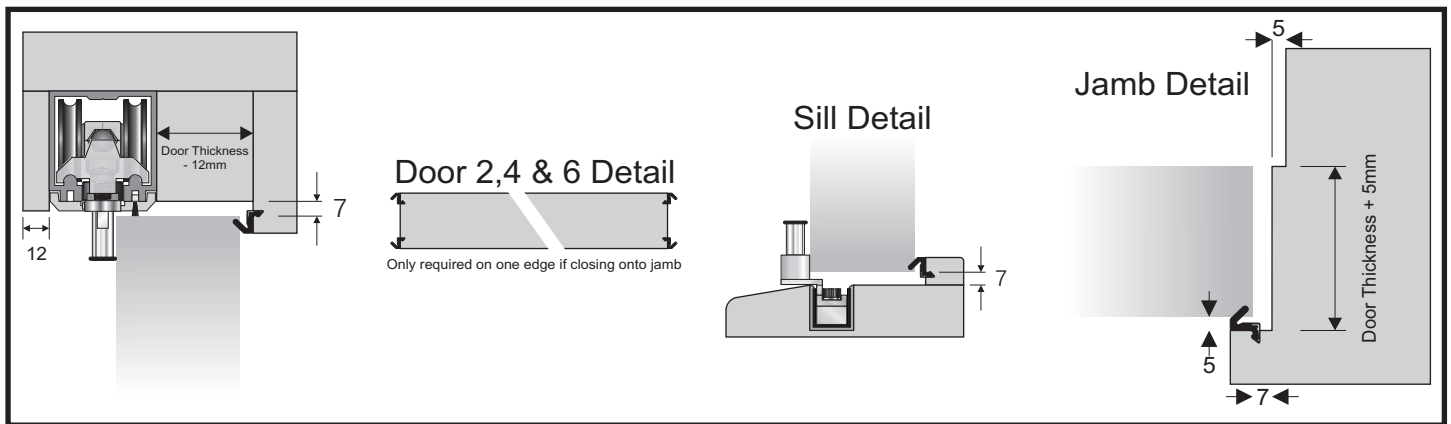


3) When setting out the hinges & hardware please note that on the outside of the doors the top hanger hinges are higher on the door than normal. On the inside be wary not to mount them too high or they may foul the frame detail.

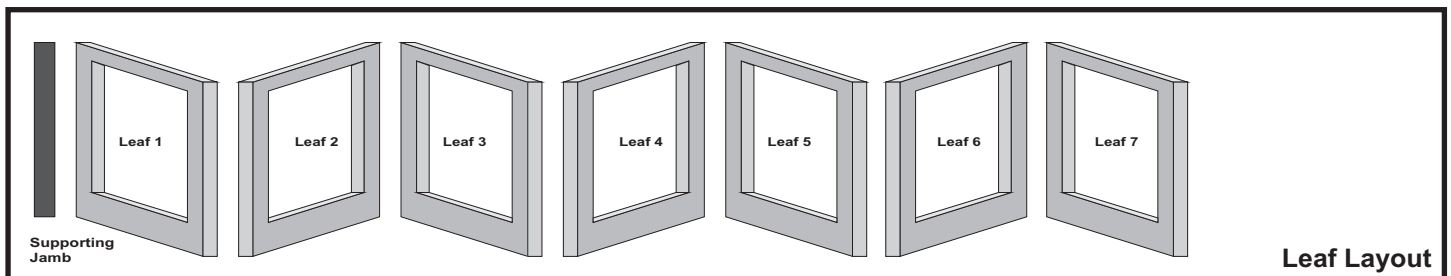
Also note the hinge handle is located between leaves 1 & 2, 3 & 4 and 5 & 6 as the middle hinge.

Router door 2, 4 & 6 to receive flush bolts both top & bottom

4) Router the frame and door 2, 4 & 6 to receive the weather seal as required for your layout.



## 4 Assembly Order - Once the frame has been installed follow the guidelines below;



- 1) Mount the track & channel into the frame. Ensure all screws are fully countersunk in the tracks and channels.
- 2) Mount the 1st leaf to the supporting jamb with the pivot set. To mount bottom pivot plate you need to disassemble bottom pivot and fix base plate into channel. Then fix correct handed bottom pivot hinge arm to base plate for application. Adjust to achieve required clearances. Install Middle pivot hinge. This is also how to install a 1D pass door on the opposing jamb to a folding suite.
- 3a) **2 Leaf Layout** - Mount 2nd leaf to 1st leaf with BFD-HSI or BFD-HSE. Ensure doors are supported until BFD-END hanger set is fitted after selecting correct handed bottom guide plate. Ensure hanger and guides run freely.
- 3b) **3 Leaf Layout** - Mount 3rd leaf to 2nd leaf with the BFD-HHG set. Ensure hanger and guides run freely.
- 3c) **4 Leaf Layout** - Mount 4th leaf to 3rd leaf with BFD-HSI or BFD-HSE. Ensure doors are supported until BFD-END hanger set is fitted after selecting correct handed bottom guide plate. Ensure hanger and guides run freely.
- 3d) **5 Leaf Layout** - Mount 5th leaf to 4th leaf with the BFD-HHG set. Ensure hanger and guides run freely.
- 3e) **6 Leaf Layout** - Mount 6th leaf to 5th leaf with BFD-HSI or BFD-HSE. Ensure doors are supported until BFD-END hanger set is fitted after selecting correct handed bottom guide plate. Ensure hanger and guides run freely.
- 3f) **7 Leaf Layout** - Mount 7th leaf to 6th leaf with the BFD-HHG set. Ensure hanger and guides run freely.
- 3e) **2+2 Leaf Layout** - Generally the same as installing 2No. 2 leaf layouts but using a BFD-MHS on the end of both hinged sets as they have male and female hinge plates to allow for weather seal and a tighter gap.
- 3f) **4+4 Leaf Layout** - Generally the same as installing 2No. 4 leaf layouts but again using the BFD-MHS on both 4th leaves.
- 4) You have now installed one suite. If you have 2 suites meeting you must now repeat the above steps.
- 5) Attach relevant locking & handles to system.
- 6) Test system & ensure all fixings are secure.

7) It is essential that when an odd leaf system is used the swinging end leaf is held by the magnetic door catch during folding/unfolding to ensure that it does not swing freely and potentially cause injury.

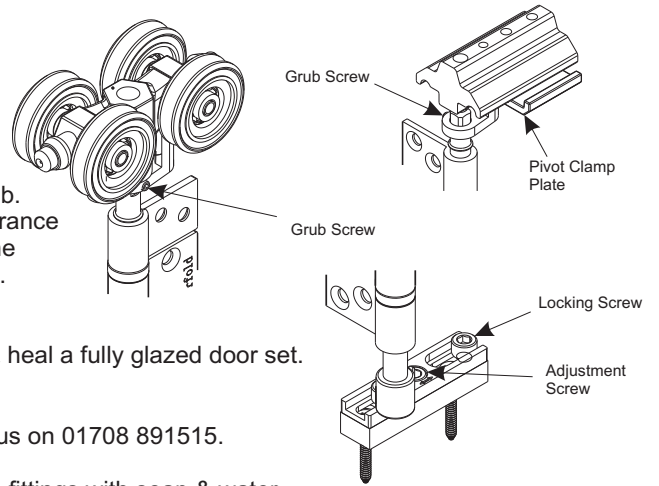
Once the system is installed you can make fine adjustments via the tops of the hangers and pivot. Simply unlock the grub screw on the plate and then unscrew the hinge pin via the allen keyed head. Once adjusted simply re-tighten the grub screw to secure.

Adjustment can also be made on the bottom and top pivot set for moving the doors laterally to achieve the correct spacing to the jamb. Simply slacken the top pivot clamp plate under the track to adjust top clearance then re-tighten. On the bottom pivot unscrew the 2 screws either side of the adjuster and then turn clockwise or anticlockwise until correctly positioned. Re-tighten screws when correct spacing achieved.

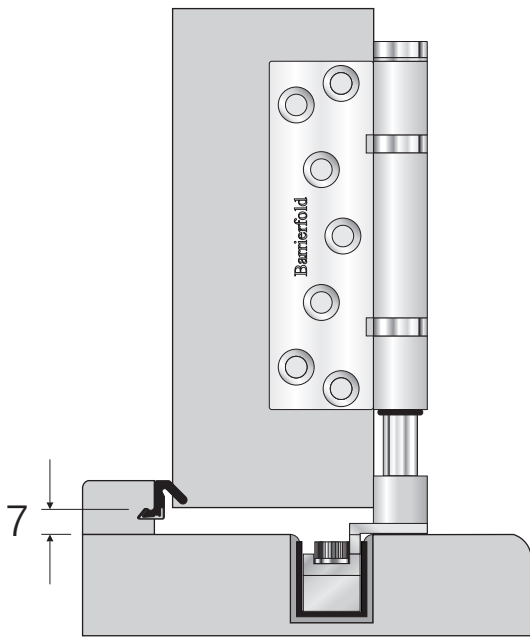
It is strongly recommended that you have an experienced craftsman toe & heel a fully glazed door set. This can improve the operation and longevity of the system.

Should you experience problems or need any further help please contact us on 01708 891515.

**MAINTENANCE** - Periodically check track & Channel for debris and clean fittings with soap & water. Occasionally you may get a build up of debris on a hanger wheel causing a lumpy motion. Simply clean wheel and track surface to remedy.



**5 Alternative Cill Details & Layouts - Details showing amendments required should you want the doors folding inwards, or a flat threshold.**



**Inward Opening Door Threshold.**

Do not forget to reverse the head detail as well!

The Hinge Handle will have been replaced with a standard hinge at point of order by Barrier Components if we were advised doors were internally folding.

**Flat Threshold Application.**

Ensure that the external floor has a gradient sloping away from the door. Ideally there should also be a storm drain placed after the gradient to aid water moving away and to stop water being pushed back by strong winds.

This arrangement should only be considered as a last resort and confined to conservatory or commercial property use.

We would recommend a double brush strip to compound any potential water/wind egress.

