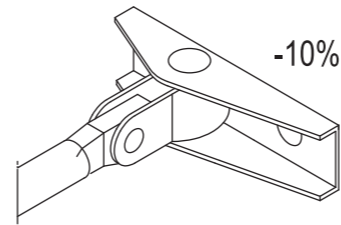
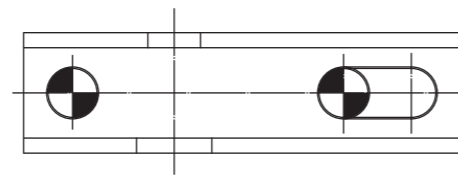
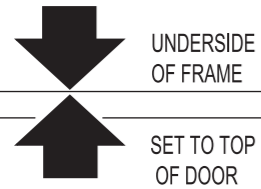
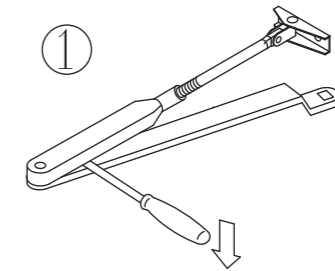
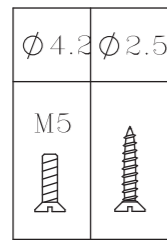
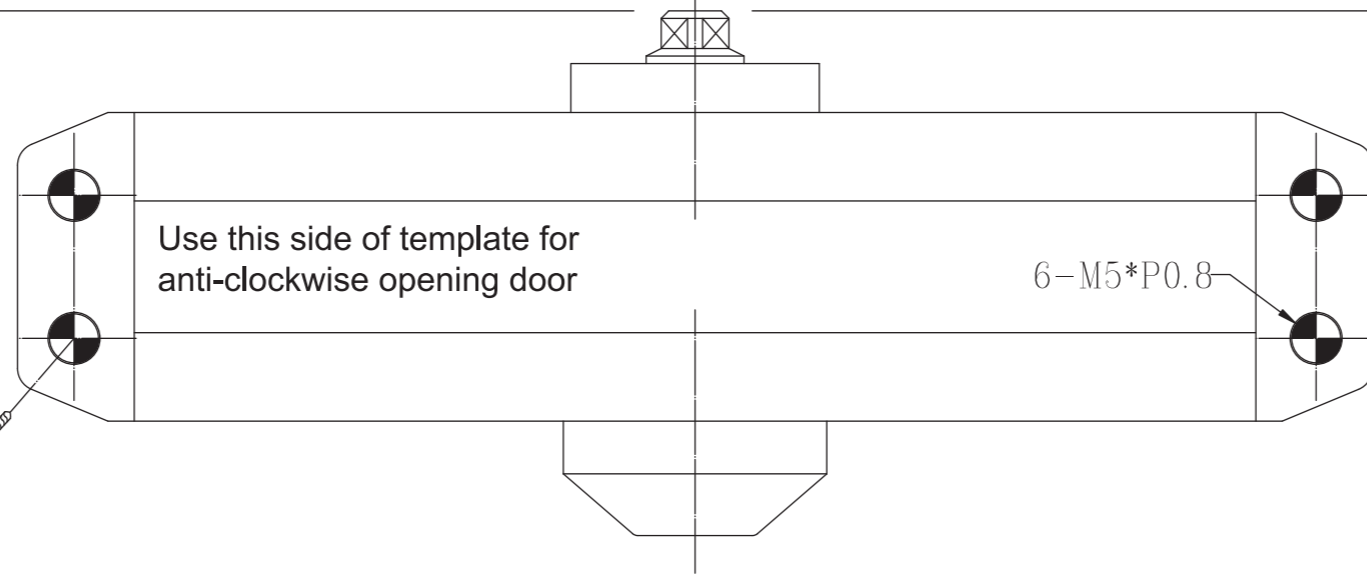
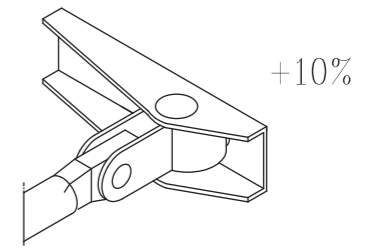


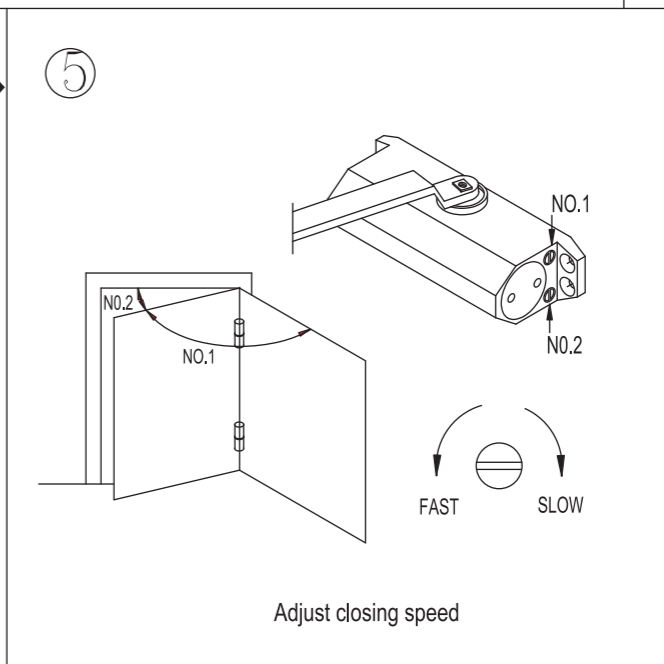
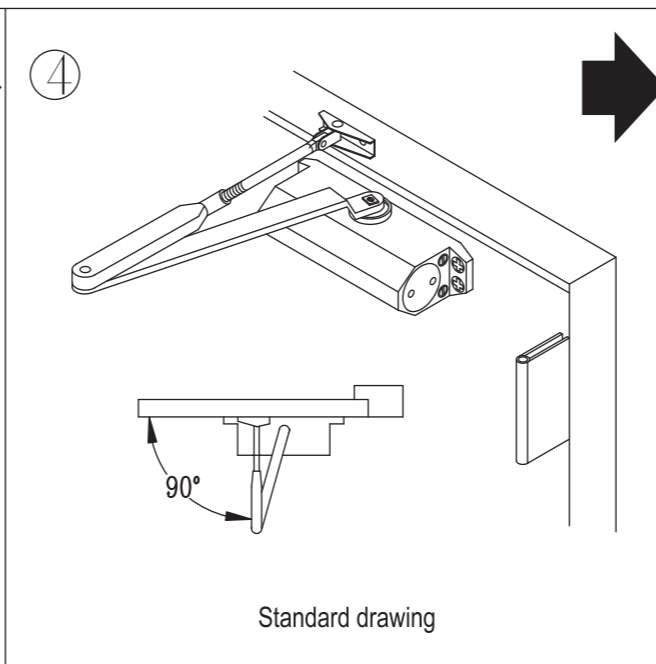
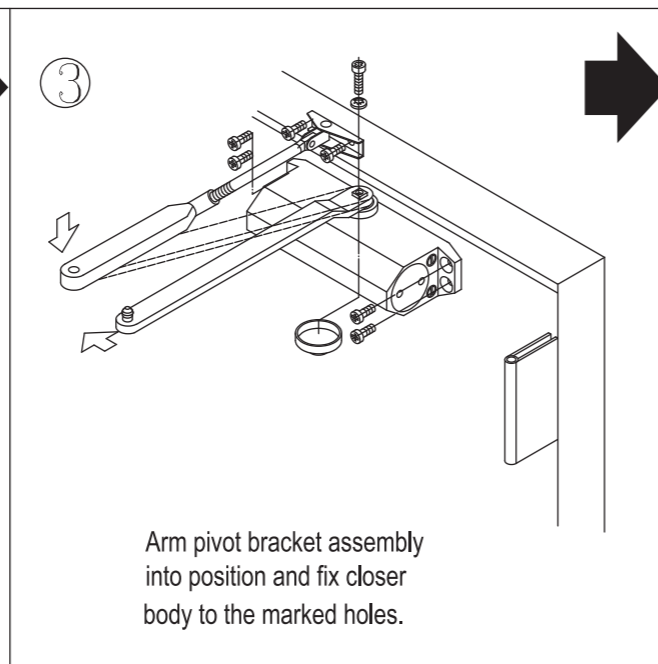
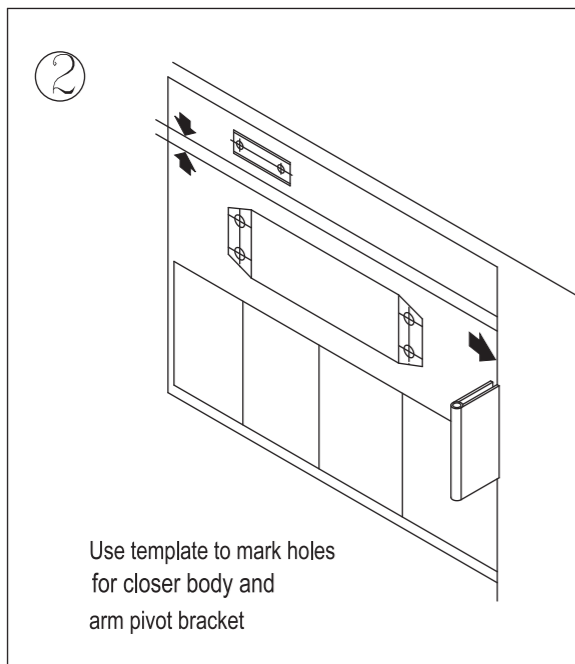
This door closer unit is a Non CE Marked product.



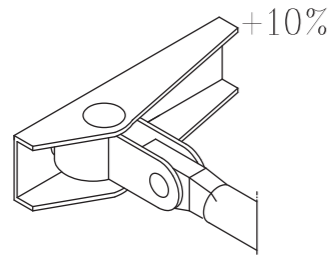
As illustrated, if the set square is turn over the closing power will be increased by 10%



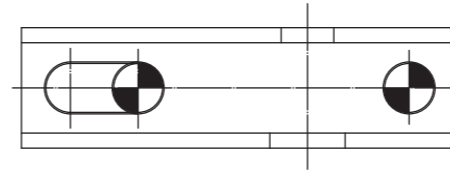
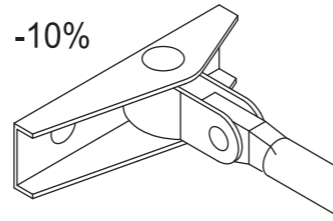
Hinge edge of door



This door closer unit is a Non CE Marked product.



As illustrated, if the set square is turned over the closing power will be increased by 10%



UNDERSIDE OF FRAME  
 SET TO TOP OF DOOR

