

# INDIVIDUAL PULL-OUT BASKET 300/400/450/500/600/800/900/1000mm

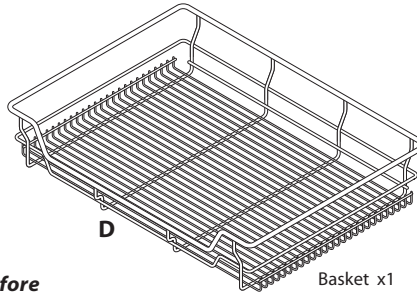
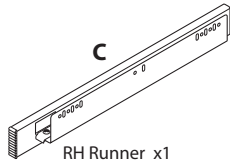
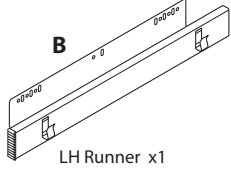
Assembly and fitting instructions



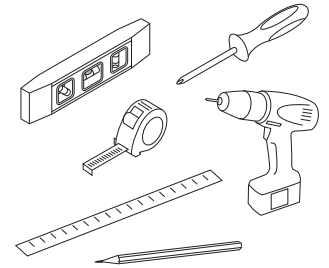
**!** *IMPORTANT - The unit has a maximum loading limit of 20-25kg. Load should be evenly distributed across the basket. All fixings supplied must be used for installation.*

## Parts

**A** x8 4 x 16mm screw

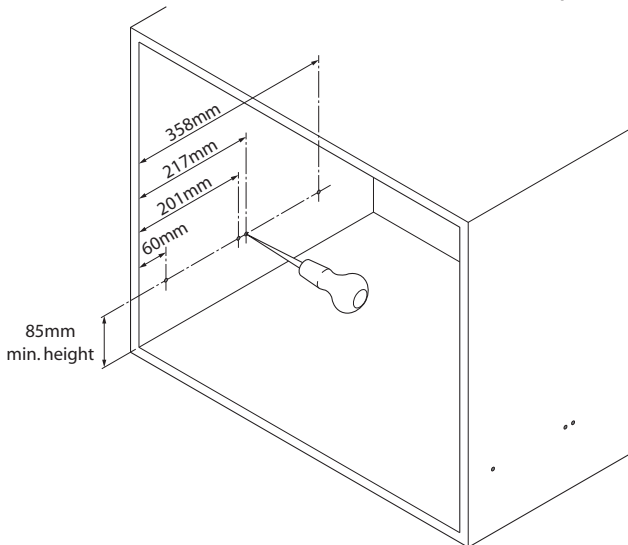


## Tools required

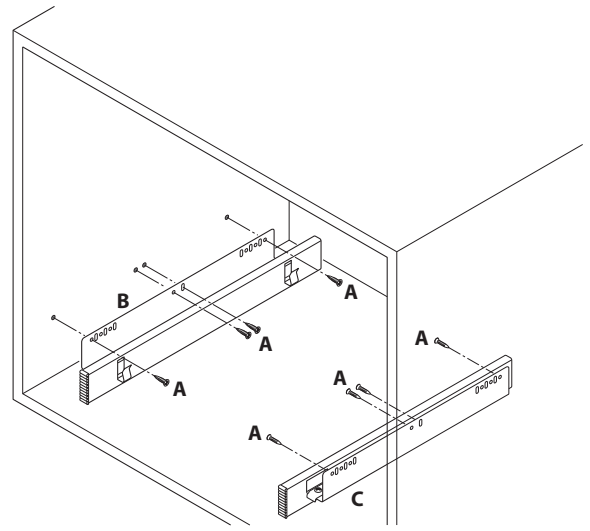


**!** *Please ensure that all the fittings are present before installation begins.*

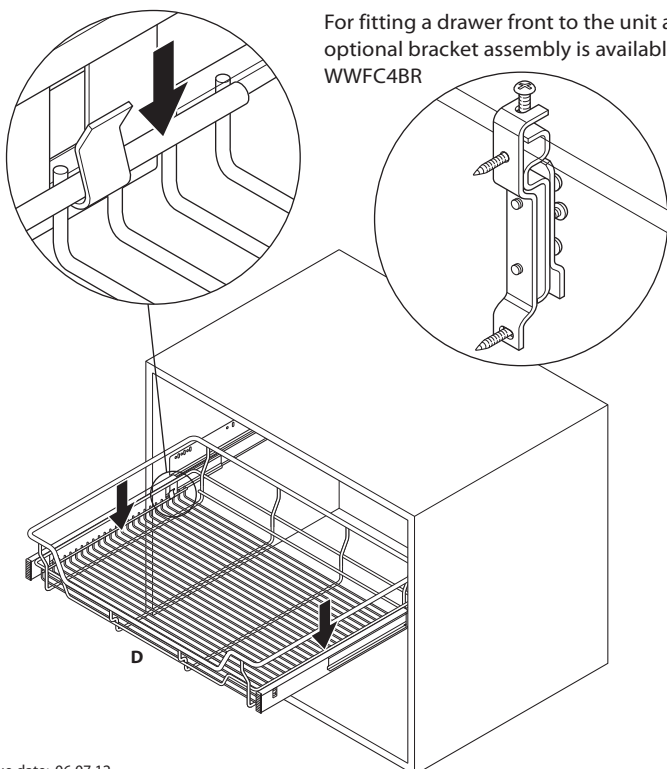
**1** Measure and mark the LH & RH runner screw positions.



**2** Fit the LH & RH runners using screws (A).



**3** Place the basket on the 4 runner hooks and push downwards to secure.



**4** If horizontal adjustment is needed use the four screws located on the runners.

