

**OPERATION**

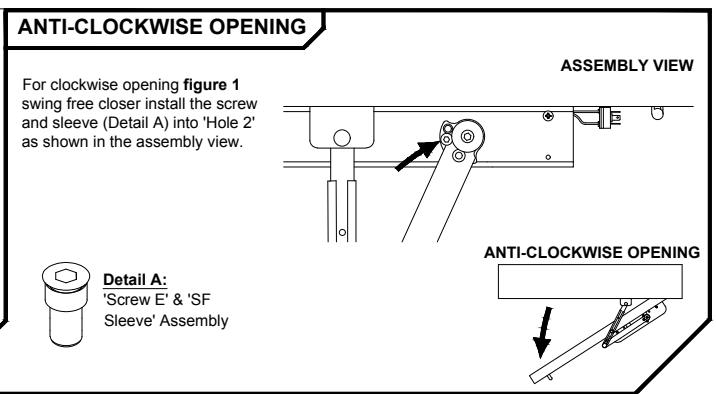
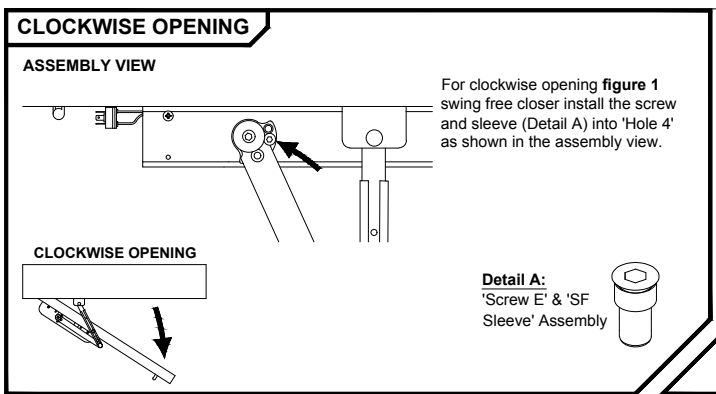
Once the unit is fitted and the 24v DC (or 95MA) power is supplied, open the door to at least 90 degrees to activate the swing free action.

The door should now operate in swing free mode until either the fire alarm is activated, power is lost or the test switch is operated. When any of the above occurs the door will automatically close by the action of the door closer.

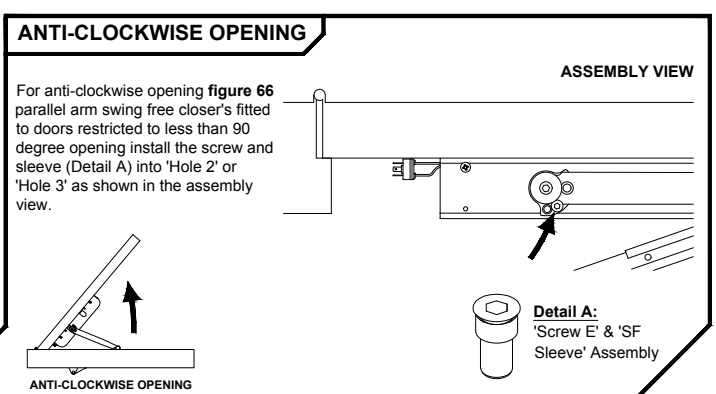
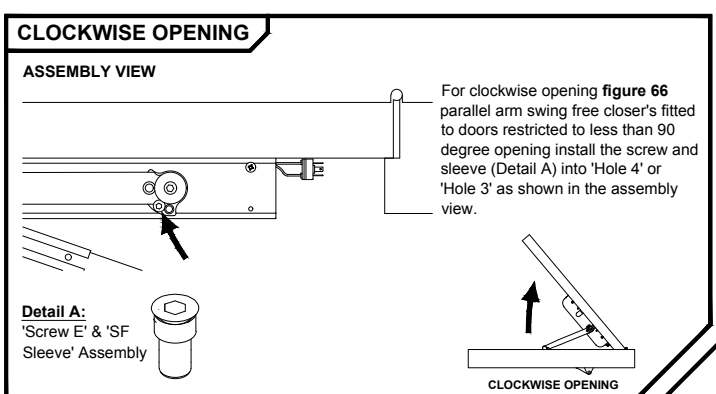
Follow the steps detailed in conjunction with the main fitting instructions leaflet (59010/INST) to fit the unit in swing free.

If you have a problem at any point, contact us on +44 (0)1543 460 040.

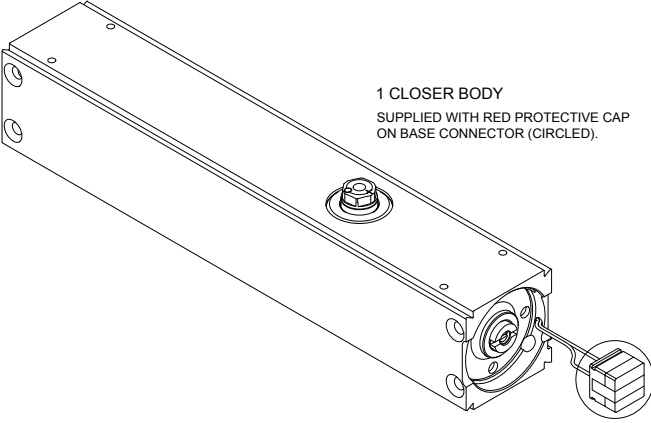
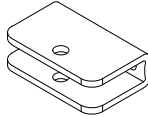

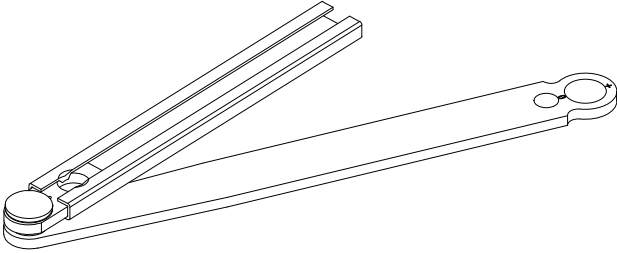
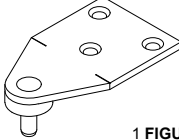
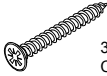
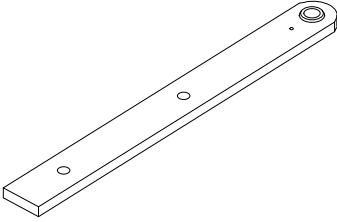
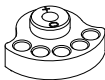
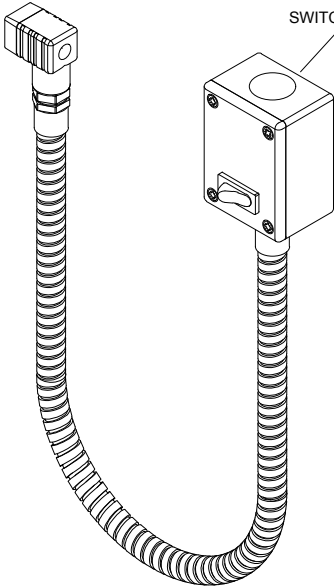
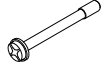
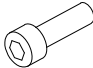
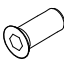


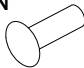




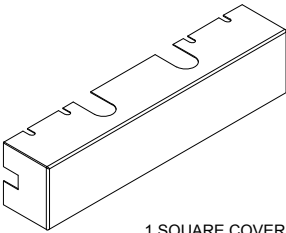
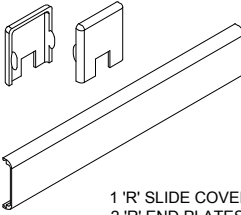
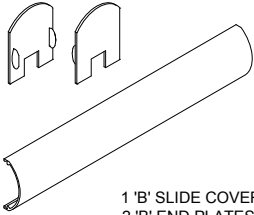

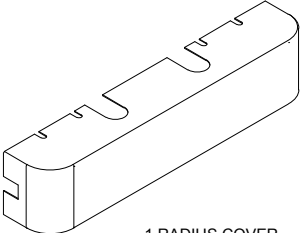
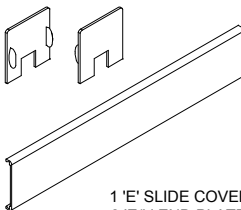
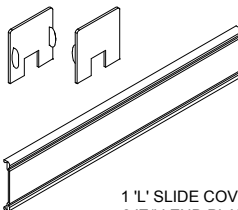

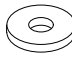
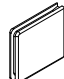


**FIGURE 1 SWING FREE CONFIGURATIONS**



**FIGURE 66 SWING FREE CONFIGURATIONS**



# BOX CONTENTS

<p><b>CLOSER BODY</b></p>  <p>1 CLOSER BODY SUPPLIED WITH RED PROTECTIVE CAP ON BASE CONNECTOR (CIRCLED).</p>	<p><b>FIGURE 1 BRACKET</b></p>  <p>1 FIGURE 1 BRACKET</p>	<p><b>SCREW A</b></p>  <p>4 No.8 x 80mm POZI CSK HEAD SCREWS</p>	
<p><b>FIXED ARM ASSEMBLY</b></p> 	<p><b>FIGURE 66 BRACKET</b></p>  <p>1 FIGURE 66 BRACKET</p>	<p><b>SCREW B</b></p>  <p>3 No.8 x 35mm POZI CSK HEAD SCREWS</p>	
<p><b>MOVEABLE ARM</b></p>  <p>1 MOVEABLE ARM</p>	<p><b>ARM ADAPTOR</b></p>  <p>1 ARM ADAPTOR PRE-ASSEMBLED ONTO FIXED ARM ASSEMBLY IN BOX.</p>	<p><b>LOOP ASSEMBLY</b></p>  <p>1 LOOP ASSEMBLY</p>	
<p><b>SCREW C</b></p>  <p>1 M3 x 30mm POZI SLOTTED SCREW (PRE-ASSEMBLED IN LOOP ASSEMBLY WHEN IN BOX).</p>	<p><b>SCREW D</b></p>  <p>1 M6 x 20mm SOCKET HEAD CAP SCREW</p>	<p><b>SCREW E</b></p>  <p>1 CAM SCREW PRE-ASSEMBLED TO 'FIXED ARM ASSEMBLY' &amp; 'ARM ADAPTOR' IN BOX.</p>	
<p><b>SCREW F</b></p>  <p>2 No.8 x 1/2" POZI RND HEAD WOOD SCREWS</p>	<p><b>SCREW G</b></p>  <p>2 M4 x 6mm POZI RND HEAD SCREWS</p>	<p><b>PIVOT PIN</b></p>  <p>1 PIVOT PIN</p>	
<p><b>ARM BOLT</b></p>  <p>1 M6 x 8 HEX BOLT</p>	<p><b>SF SLEEVE</b></p>  <p>1 SF SLEEVE</p>	<p><b>CAPPED CIRCLIP</b></p>  <p>1 CAPPED CIRCLIP</p>	
<p><b>COVER &amp; SLIDE VARIANTS AVAILABLE (ORDER SPECIFIC)</b></p>			<p><b>WASHER A</b></p>  <p>1 SMALL POLY WASHER</p>
<p><b>SQUARE COVER</b></p>  <p>1 SQUARE COVER (ORDER SPECIFIC)</p>	<p><b>'R' SLIDE COVER &amp; END PLATES</b></p>  <p>1 'R' SLIDE COVER 2 'R' END PLATES (ORDER SPECIFIC)</p>	<p><b>'B' SLIDE COVER &amp; END PLATES</b></p>  <p>1 'B' SLIDE COVER 2 'B' END PLATES (ORDER SPECIFIC)</p>	<p><b>WASHER B</b></p>  <p>1 LARGE POLY WASHER</p>
<p><b>RADIUS COVER</b></p>  <p>1 RADIUS COVER (ORDER SPECIFIC)</p>	<p><b>'E' SLIDE COVER &amp; END PLATES</b></p>  <p>1 'E' SLIDE COVER 2 'E/L' END PLATES (ORDER SPECIFIC)</p>	<p><b>'L' SLIDE COVER &amp; END PLATES</b></p>  <p>1 'L' SLIDE COVER 2 'E/L' END PLATES (ORDER SPECIFIC)</p>	<p><b>WASHER C</b></p>  <p>1 LARGE BLACK WASHER</p>
<p><b>WASHER D</b></p>  <p>1 SMALL ZINC PLATED WASHER</p>	<p><b>COVER GROMMET</b></p>  <p>1 BLACK PLASTIC COVER GROMMET</p>		
<p><b>ADJUSTER KEY</b></p>  <p>1 ADJUSTER KEY</p>	<p><b>HEX KEYS</b></p>  <p>1 HEX KEY (4mm) 1 HEX KEY (5mm)</p>		