

# Standard arm closers

## TS9205



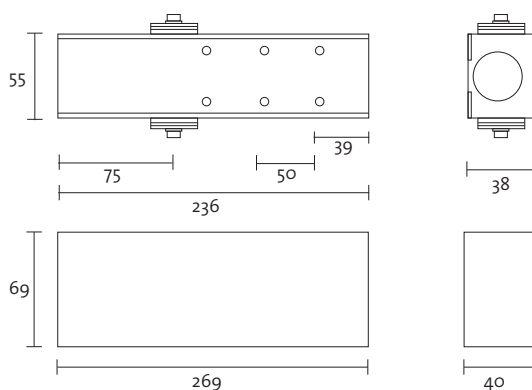
Certificate No. CF 484



Certificate No. WQM 132

### Description

A heavy duty, but slimline power adjustable overhead door closer, suitable for schools, public buildings, offices, hotels and hospitals.



All dimensions are in mm.

### Product specification

Power size (adjustable by spring)

EN2 (up to 850mm /45kg)	Yes
EN3 (up to 950mm / 60kg)	Yes
EN4 (up to 1100mm / 80kg)	Yes
EN5 (up to 1250mm / 110kg)	Yes
Mechanism	Rack and pinion
Adjustable closing speed	Yes
Adjustable latch action	Yes
Adjustable delayed action	Optional
Adjustable back check	Yes
Maximum door width (mm)	1250
Maximum door weight (kg)	110
Opening angle	180°
Tested to BS EN 1154: 1997	Yes
CE marked	Yes
DDA (min door width 728mm)	Fig 1
DDA (min door width 835mm)	Fig 66
LH and RH doors - universal application	Yes
Fire rated (BS EN 1634-1: 2000)	Yes

### BS EN 1154 classification

TS9205 door closers have been independently tested to conform with the EN 1154 performance standard. They are CE marked and classified as follows:

4	8	5/2	1	1	3
---	---	-----	---	---	---

The TS9205 high efficiency door closer is 'Engineered to Perform', assisting doorsets meet the requirement of Approved Document M and BS 8300 recommendations.

### BS EN 1634 fire test

TS9205 closers have been comprehensively tested to BS EN 1634 for 30, 60 and 120 minutes on timber doorsets, and 240 minutes on metal doorsets.

(Fig 1, Fig 61, Fig 66, and slide arm applications)

### Certifire

TS9205 series door closers have Certifire approval which defines the limits of the product's performance.

### Guarantee

25 year guarantee.

### TS9205 options

Hold-open arm	Optional
Slide arm	Optional
Drop plate	Optional
Available finishes	All

Optional = not CE or Certifire approved