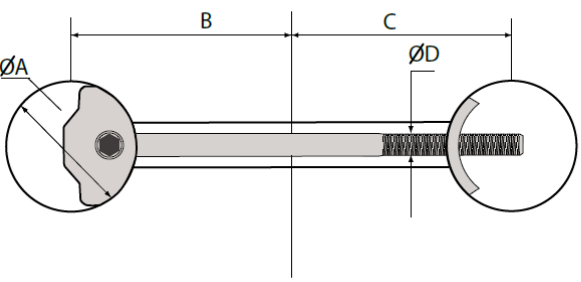
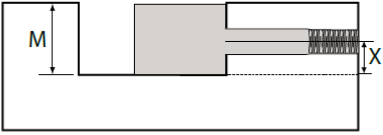



DATA SHEET

132501

QT 10.700 164mm Worktop Connector

SPECIFICATION	
	<p>SHAFT CENTRE CALCULATION</p>  <p>M = Minimum Bore Depth 20mm (51/64 inches) X = Shaft Centre 10mm (25/64 inches)</p>

Measurements		
	Millimetres	Inches
A	35	1 ³ / ₈
B	74 - 87	2 ²⁹ / ₃₂ - 3 ²⁷ / ₆₄
C	74 - 87	2 ²⁹ / ₃₂ - 3 ²⁷ / ₆₄
D	6	1 ⁵ / ₆₄



5mm hex bit

