

Standard arm closers

TS9204



CE
1121



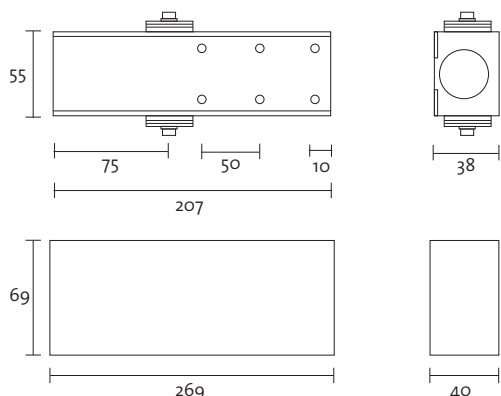
Certificate No. CF 484



Certificate No. WQM 132

Description

The slimline nature of this highly engineered closer makes it a desirable choice for any application where style and unobtrusiveness is required in schools, public buildings, offices, hotels and hospitals.



All dimensions are in mm.

Product specification

Power size (adjustable by position)

| | |
|-----------------------------------------|-----------------|
| EN2 (up to 850mm / 45kg) | Yes |
| EN3 (up to 950mm / 60kg) | Yes |
| EN4 (up to 1100mm / 80kg) | Yes |
| Mechanism | Rack and pinion |
| Adjustable closing speed | Yes |
| Adjustable latch action | Yes |
| Adjustable back check (CE in Fig 66) | Yes |
| Maximum door width (mm) | 1100 |
| Maximum door weight (kg) | 80 |
| Opening angle | 180° |
| Tested to BS EN 1154: 1997 | Yes |
| CE marked | Yes |
| DDA (min door width 936mm) | Fig 1 |
| DDA (min door width 753mm) | Fig 66 |
| LH and RH doors - universal application | Yes |
| Fire rated (BS EN 1634-1: 2000) | Yes |

BS EN 1154 classification

TS9204 closers have been independently tested to conform with the EN 1154 performance standard.

TS9204 door closers are CE marked and are classified as follows:

Standard Arm Fig 1

| | | | | | |
|---|---|--------|---|---|---|
| 4 | 8 | 4 2 | 1 | 1 | 3 |
|---|---|--------|---|---|---|

BS EN 1634 fire test

TS9204 series closers have been tested to BS EN 1634 for 30, 60 and 120 minutes on timber doorsets, and 240 minutes on metal doorsets. (Fig 1, Fig 61, Fig 66, and slide arm applications)

Parallel Arm Fig 66

| | | | | | |
|---|---|---|---|---|---|
| 4 | 8 | 4 | 1 | 1 | 3 |
|---|---|---|---|---|---|

Certifire

TS9204 series door closers have Certifire approval which defines the limits of the product's performance.

Guarantee

25 year guarantee.

TS9204 options

| | |
|--------------------|----------|
| Hold-open arm | Optional |
| Slide arm | Optional |
| Drop plate | Optional |
| Available finishes | All |

Optional = not CE or Certifire approved