

Mortice Latch

2648/2650

Application:

- For timber doors hinged on the left or right and requiring lever handle operation
- Not suitable for use with unsprung lever handles

Operation:

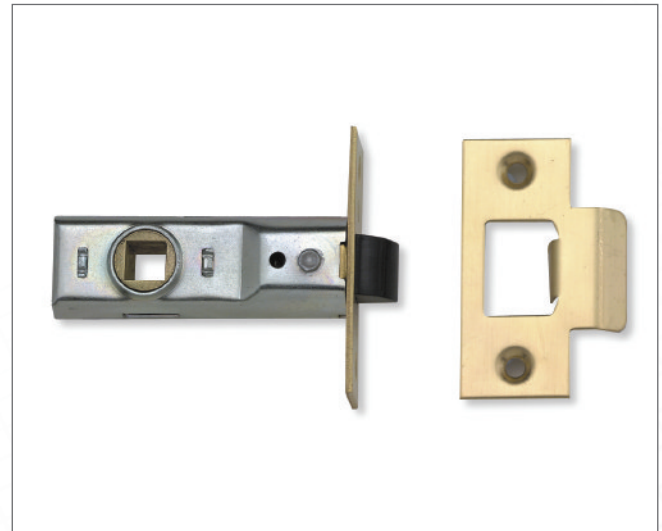
- Latch bolt withdrawn by sprung lever handle from either side
- Two way action
- 2650 - rebated mortice latch (suitable for 13mm rebate)

Specification:

Reference	2648 (non rebated) 2650 (rebated 13mm)
Case Size	64.5mm (2.5"), 80mm (3") or 91.5mm (3.5")
Backset	44.5mm, 57mm or 82.5mm
Case	Steel, galvanised
Forend	Stainless steel or brass
Striking Plate	Finished to match forend
Deadbolt	n/a
Latch Bolt	Black, plastic construction
Follower	8mm square
Rebate Kit	Fixed 13mm rebate on 2650

Features:

- Available with square forend and striking plate



Finishes:

- 2648 - SE - Silver Enamel finish and PL - Polished Brass finish
- 2650 - EB - Electro Brass finish and SE - Silver Enamel finish

Standards:



- EN 1634-1 assessed for use on 60 minutes timber fire doors

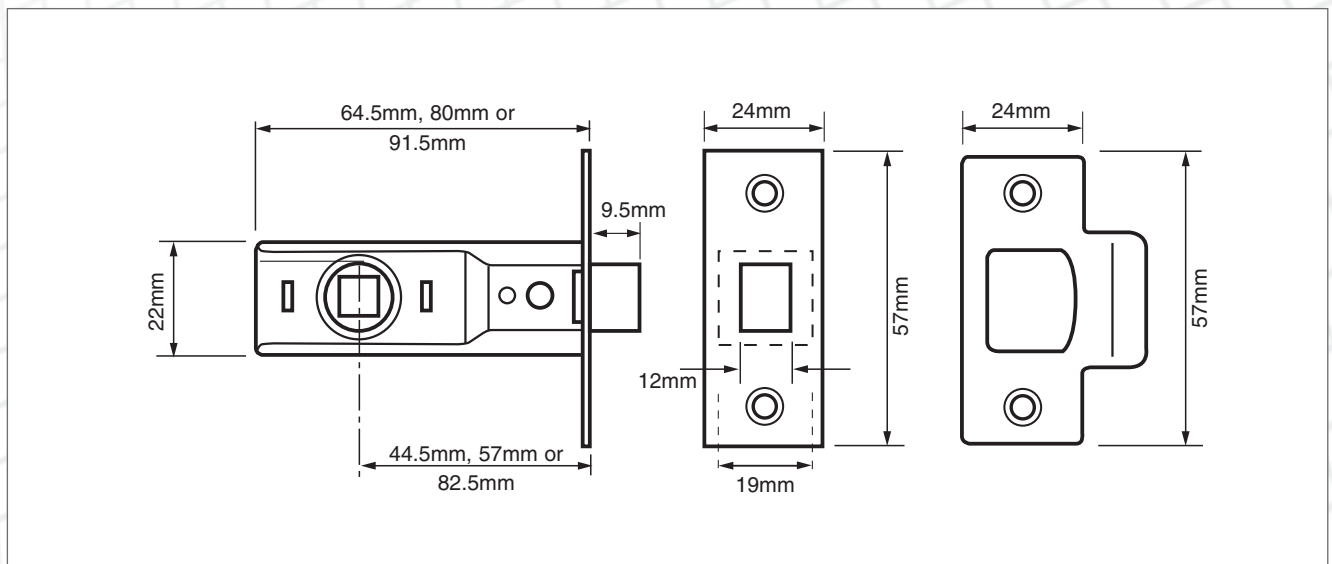
Ordering Code Example:

J 2648 - PL - 2.50

(Boxed - Product Code - Finish - Case Size)

Y 2648 - PL - 2.50

(Visi Packed - Product Code - Finish - Case Size)



2J Bathroom Locks and Latches