



Kanzleigebäude, Mannheim

GEZE Boxer

Integrated door closer



Contents

GEZE Boxer	3
Integrated door closer closing force size 2-4 and 3-6 according to EN 1154 A	
GEZE Boxer E	3
with electromechanical hold-open	
GEZE Boxer P	3
Integrated closer for double-action doors	
GEZE Boxer ISM.	3
with integrated closing sequence control	
GEZE Boxer E-ISM	3
with integrated closing sequence control and electromechanical hold-open	
GEZE RSZ 6	3
Smoke switch control unit	
GEZE Boxer EFS Größe 4	3
Integrated freeswing door closer closing force size 4 according to EN 1154 A	
GEZE Boxer	3
Ordering information	



DOOR TECHNOLOGY



GLASS SYSTEMS



AUTOMATIC DOOR SYSTEMS



RWA AND WINDOW TECHNOLOGY



SAFETY TECHNOLOGY

GEZE Boxer – Integrated door closer

closing force 2-4 and 3-6 according to EN 1154 A

Product features

- ▶ Closer sizes 2-4 and 3-6 EN 1154 A ¹⁾
- ▶ Closer fully integrated into door leaf
- ▶ Guide rail only visible during opening moment
- ▶ Closing force, closing speed, hydraulic latching action and hydraulic back check adjustable when installed
- ▶ Finish: silver

Applications

- ▶ For right and left hand closing doors
- ▶ Closer size 2-4
max. leaf weight approx. 130 kg
for leaf width up to 1100 mm
for leaf depth from 40 mm
- ▶ Closer size 3-6
max. leaf weight approx. 180 kg
for leaf width up to 1400 mm
for leaf depth from 50 mm

Supplied as standard package

Integrated door closer complete with screw accessories and installation instructions

Also necessary: guide rail with lever

Version with mechanical hold-open device ²⁾ / supplied as package

Integrated door closer complete with screw accessories and installation instructions.

Also necessary: guide rail with lever and mechanical hold-open device, hold-open angle infinitely variable between 80° and 120°

Version with electromechanical hold-open device ³⁾ / supplied as package

Integrated door closer complete with screw accessories and installation instructions.

Also necessary: E-guide rail with lever and electromechanical hold-open device



¹⁾ An additional suitable certificate for the door is necessary with using on smoke and fire doors

²⁾ In Germany not permitted for use with smoke and fire doors

³⁾ Approved with well known smoke detectors p.e. GEZE RSZ 6) by the DIBt, Berlin

Specification text

Integrated door closer GEZE Boxer for single-action doors, leaf depth from 40 mm, according to EN 1154 A, size 2-4 with guide rail, adjustable (when installed) closing force, closing speed, latching action and back check.

The closer is completely installed into the door leaf, the guide rail is only visible when the door is open.

For right and left closing doors, up to 130 kg leaf weight and up to 1100 mm leaf width

Finish: silver

Specification text

Integrated door closer GEZE Boxer for single-action doors, leaf depth from 50 mm, according to EN 1154 A, size 3-6 with guide rail, adjustable (when installed) closing force, closing speed, latching action and back check.

The closer is completely installed into the door leaf, the guide rail is only visible when the door is open.

For right and left closing doors, up to 180 kg leaf weight and up to 1400 mm leaf width

Finish: silver

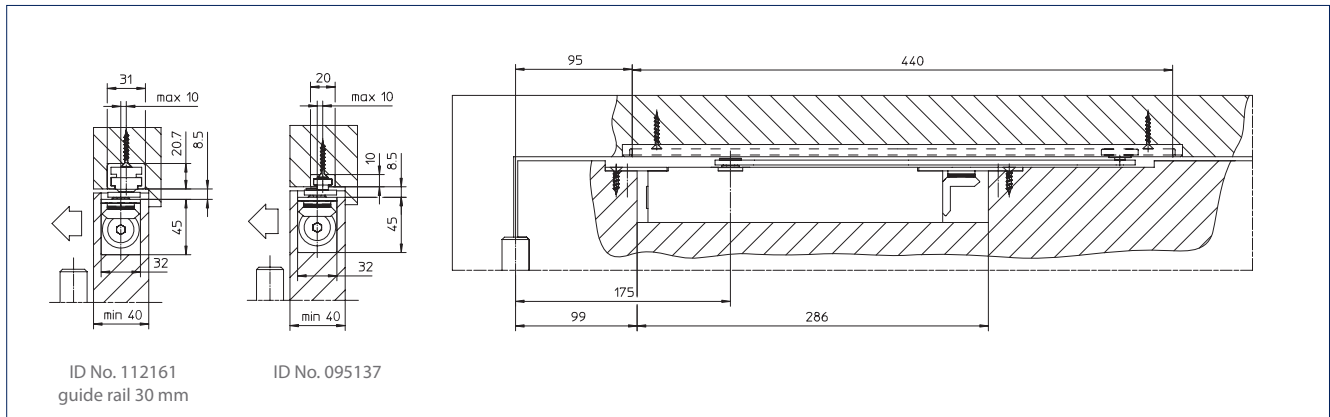


Fig. 04-1 · GEZE Boxer size 2-4 with guide rail Boxer

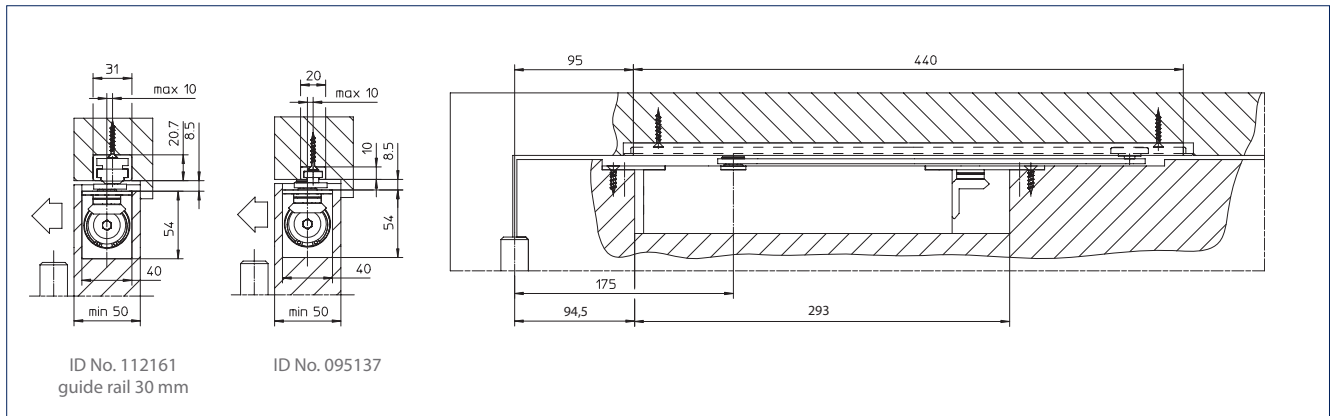


Fig 04-2 · GEZE Boxer size 3-6 with guide rail Boxer

Specification text

Integrated door closer GEZE Boxer with mechanical hold-open device¹⁾ for single-action doors, leaf depth from 40 mm, size 2-4 according to EN 1154 A, guide rail with mechanical hold-open device, hold-open angle infinitely variable between 80° and approx. 120°, retaining force of hold-open device can be adjusted, adjustable (when installed) closing force, closing speed, latching action and back check.

The closer is completely installed into the door leaf, the guide rail is only visible when the door is open.

For right and left closing doors, up to 130 kg leaf weight and up to 1100 mm leaf width

Finish: silver

Specification text

Integrated door closer GEZE Boxer with mechanical hold-open device¹⁾ for single-action doors, leaf depth from 50 mm, size 3-6 according to EN 1154 A, guide rail with mechanical hold-open device, hold-open angle infinitely variable between 80° and approx. 120°, retaining force of hold-open device can be adjusted, adjustable (when installed) closing force, closing speed, latching action and back check.

The closer is completely installed into the door leaf, the guide rail is only visible when the door is open.

For right and left closing doors, up to 180 kg leaf weight and up to 1400 mm leaf width

Finish: silver

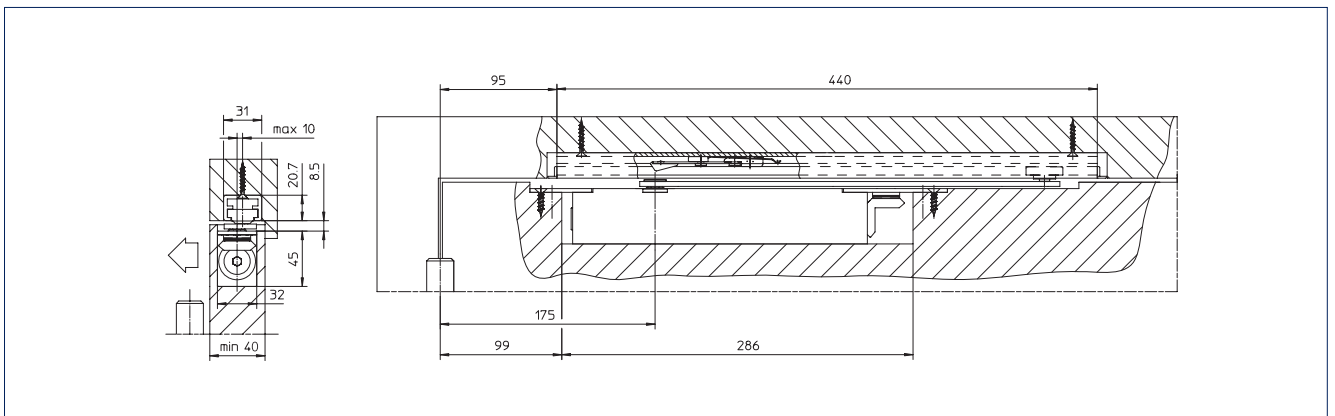


Fig. 05-1 · GEZE Boxer size 2-4 with guide rail Boxer, with mechanical hold-open device

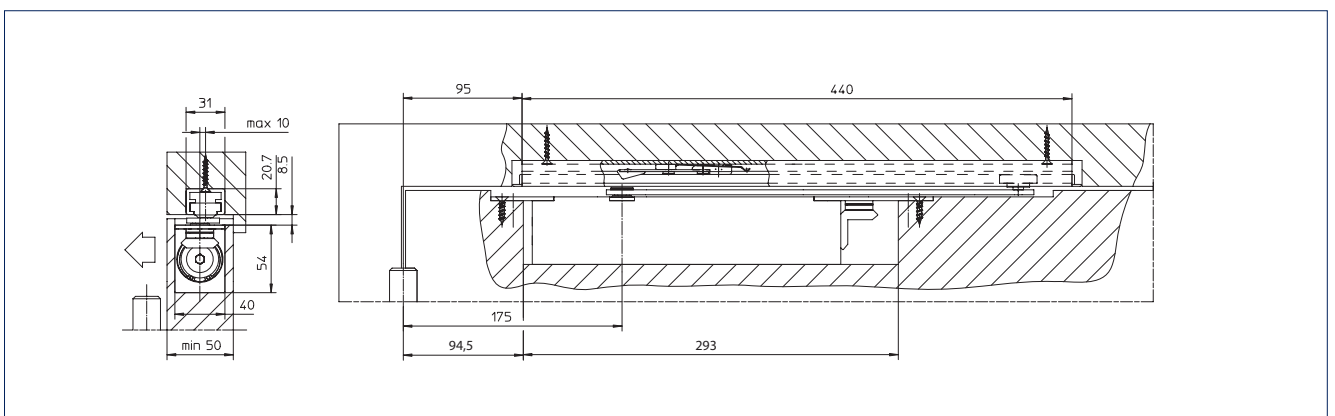


Fig. 05-2 · GEZE Boxer size 3-6 with guide rail Boxer, with mechanical hold-open device

¹⁾ In Germany not permitted for use with smoke and fire doors

Specification text

Integrated door closer GEZE Boxer E, 24 V DC, certified in accordance with EN 1155, for single-action doors, leaf depth from 40 mm, size 2-4 according to EN 1154 A, with guide rail, with electromechanical hold-open device ¹⁾ hold-open angle infinitely variable between 80° and approx. 120° adjustable (when installed) closing force, closing speed, latching action and back check

The closer is completely installed into the door leaf, the guide rail is only visible when the door is open.

For right and left closing doors, up to 130 kg leaf weight and up to 1100 mm leaf width

Finish: silver

Specification text

Integrated door closer GEZE Boxer E, 24 V DC, certified in accordance with EN 1155, for single-action doors, leaf depth from 50 mm, size 3-6 according to EN 1154 A, with guide rail, with electromechanical hold-open device ¹⁾ hold-open angle infinitely variable between 80° and approx. 120° adjustable (when installed) closing force, closing speed, latching action and back check

The closer is completely installed into the door leaf, the guide rail is only visible when the door is open.

For right and left closing doors, up to 180 kg leaf weight and up to 1400 mm leaf width

Finish: silver

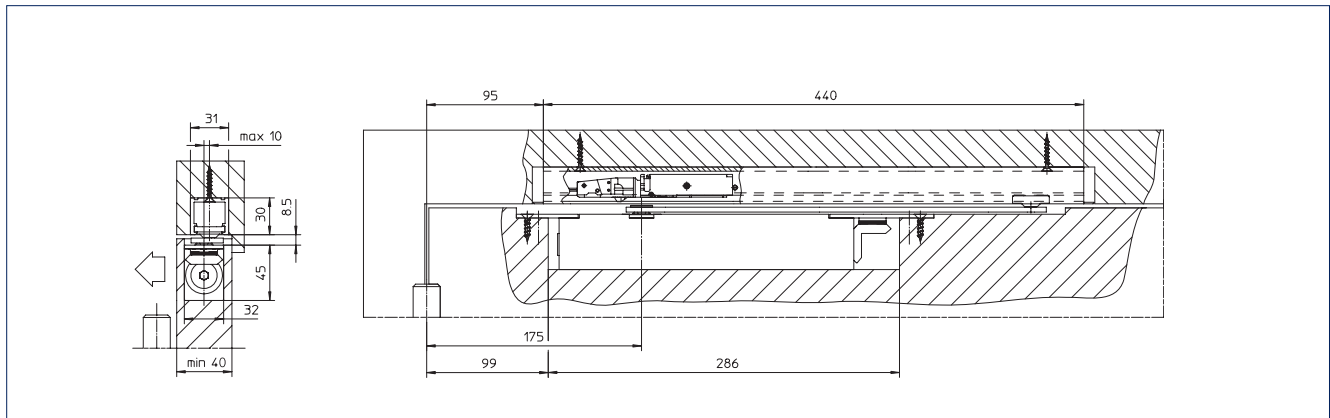


Fig. 06-1 · GEZE Boxer size 2-4 with E-guide rail Boxer, with electromechanical hold-open device

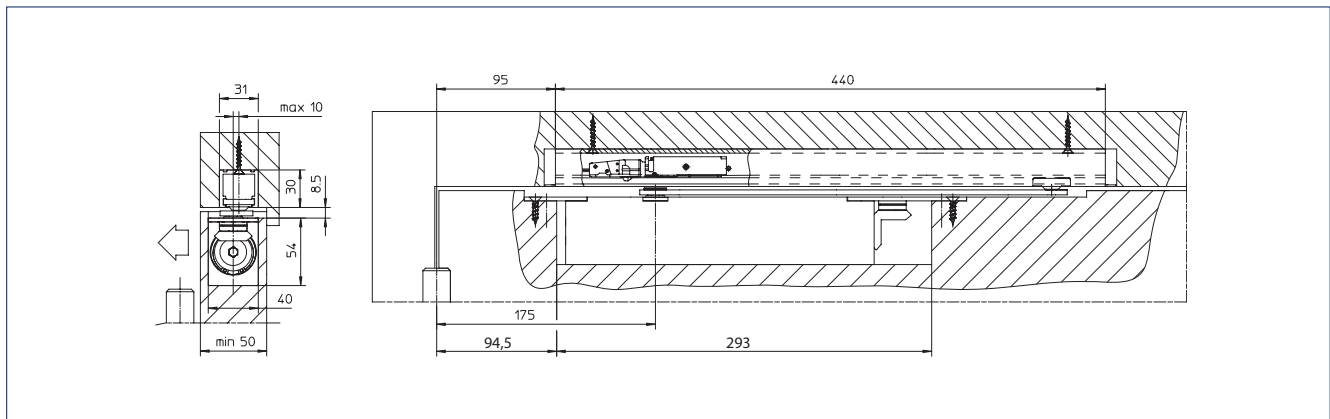


Fig. 06-2 · GEZE Boxer size 3-6 with E-guide rail Boxer, with electromechanical hold-open device

¹⁾ Approved with well known smoke detectors (p.e. GEZE RSZ 6) by the DIBt, Berlin

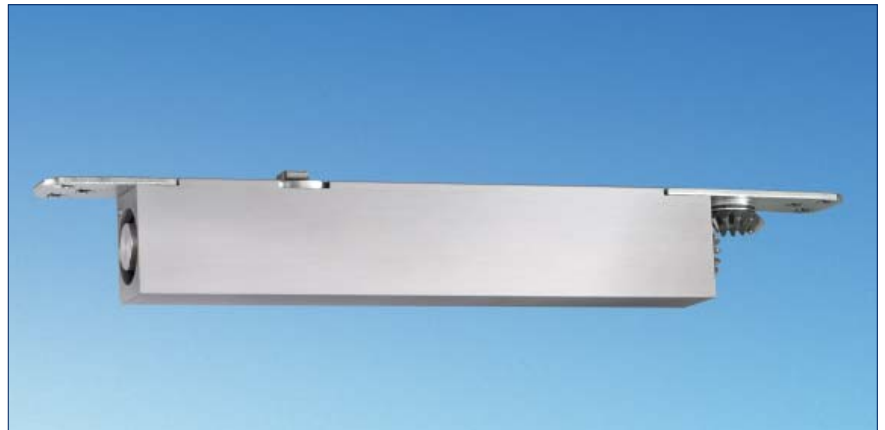
GEZE Boxer P – Integrated double-action door closer

Product features

- ▶ Closer sizes 2-4 according EN 1154
- ▶ Closer fully integrated into the door leaf and guide rail only visible during opening moment
- ▶ Closing force, closing speed, latching action and back check adjustable (when installed) from top

Applications

- ▶ For double-action doors
- ▶ Max. leaf weight approx. 80 kg
- ▶ For leaf width up to 1000 mm
- ▶ For leaf depth from 40 mm



Specification text

Integrated door closer GEZE Boxer P for double-action doors, leaf depth from 40 mm, according to EN 1154 A, size 2-4 with guide rail, adjustable (when installed) closing force, closing speed, latching action and back check

The closer is completely integrated into the door leaf, the guide rail is only visible when the door is open.

Up to 80 kg leaf weight and up to 1000 mm leaf width

Optionally with:

- () guide rail with mechanical hold-open device
- () guide rail with electromechanical hold-open device

Finish: silver

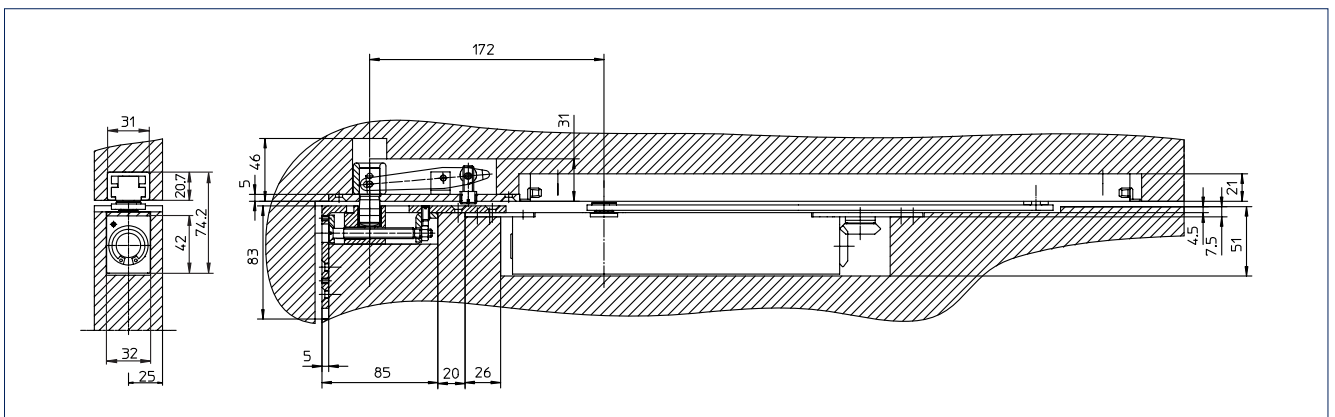


Fig. 07-1 · Integrated double-action door closer GEZE Boxer P

GEZE Boxer ISM for double-leaf doors with integrated mechanical closing sequence control

Product features

- ▶ Closer sizes 2-4 / 3-6 EN 1154 A ¹⁾
- ▶ ISM guide rail with integrated mech. closing sequence control acc. to EN 1158
- ▶ Closer fully integrated into door leaf
- ▶ Guide rail only visible during opening moment
- ▶ Mechanical hold-open device ²⁾ retro-fittable for both door leaves
- ▶ Closing force, closing speed, latching action and back check adjustable when installed
- ▶ Finish: silver

Applications

- ▶ For double-leaf right and left hand closing doors
- ▶ Closer size 2-4
max. leaf weight approx. 130 kg
leaf width min. 1300 mm - max. 2200 mm
fixed leaf min. 540 mm
for leaf depth from 40 mm
- ▶ Closer size 3-6
max. leaf weight approx. 180 kg
leaf width min. 1300 mm - max. 2800 mm
fixed leaf min. 540 mm
for leaf depth from 50 mm
- ▶ **Special version**
for small doors 1130-1300 mm
(see drawing Fig.11-1)



The system GEZE Boxer ISM for double-leaf doors contains an integrated closing sequence control for both door leaves.

The door leaves are in open position when the door is going to be closed. The sequential closing function is provided by the moving leaf being held-open (it "waits") until the fixed leaf is closed.

Specification text

Integrated door closer system GEZE Boxer ISM for 2-leaf doors, according to EN 1154 A size 2-4, for single-action doors, leaf depth from 40 mm, guide rail with integrated mechanical closing sequence control according to EN 1158, adjustable (when installed) closing force, closing speed, latching action and back check, certified by the FMPA Stuttgart, with use on smoke and fire doors a suitable certificate for the door is required.

Door leaf width:
min. 1300 mm
max. 2200 mm

Finish: silver

Specification text

Integrated door closer system GEZE Boxer ISM for 2-leaf doors, according to EN 1154 A size 3-6, for single-action doors, leaf depth from 50 mm, guide rail with integrated mechanical closing sequence control according to EN 1158, adjustable (when installed) closing force, closing speed, latching action and back check, certified by the FMPA Stuttgart, with use on smoke and fire doors a suitable certificate for the door is required.

Door leaf width:
min. 1300 mm
max. 2800 mm

Finish: silver

¹⁾ An additional suitable certificate for the door is necessary with using on smoke and fire doors

²⁾ In Germany not permitted for use with smoke and fire doors

GEZE Boxer E-ISM for double-leaf doors, with closing sequence control and electromech. hold-open device



Product features

- ▶ Closer sizes 2-4 / 3-6 EN 1154 A ¹⁾
- ▶ E-ISM guide rail with integrated mechanical closing sequence control acc. to EN 1158 and electromechanical hold-open device on both sides acc. to EN 1155
- ▶ Closer fully integrated into door leaf
- ▶ Guide rail only visible during opening moment
- ▶ Closing force, closing speed, latching action and back check adjustable when installed
- ▶ Finish: silver

Applications

same as GEZE Boxer ISM for 2-leaf doors

Electrical data

- ▶ Operating voltage 24 V DC \pm 15%
- ▶ Power consumption 2 x 100 mA
- ▶ Rating 100%

▶ Special version

for small doors 1130-1300 mm (see drawing Fig.11-1)

The system GEZE Boxer E-ISM contains electromechanical hold-open devices for both door leaves and an integrated closing sequence control for both door leaves.

The door leaves are in open position with engaged hold-open devices when the door is going to be closed. The sequential closing function is provided by the moving leaf, which starts the closing of the fixed leaf and being held-open (it "waits") until the fixed leaf is closed.

Specification text

Integrated door closer system GEZE Boxer E-ISM, 24 V DC, for 2-leaf single-action doors, leaf depth from 40 mm, according to EN 1154 A, size 2-4, guide rail with integrated closing sequence control according to EN 1158 and electromechanical hold-open device on both sides according to EN 1155, hold-open angle infinitely variable from 80° to approx. 120° to an exact position in accordance with EN 1155, adjustable (when installed) closing force, closing speed, latching action and back check

Building regulation approval for the use with smoke switch control units GEZE RSZ 5 und RSZ 6 is submitted at DIBt ¹⁾

Door leaf width: min. 1300 mm / max. 2200 mm
Finish: silver

Notice guidelines of DIBt (in Germany)

Specification text

Integrated door closer system GEZE Boxer E-ISM, 24 V DC, for 2-leaf single-action doors, leaf depth from 50 mm, according to EN 1154 A, size 3-6, guide rail with integrated closing sequence control according to EN 1158 and electromechanical hold-open device on both sides according to EN 1155, hold-open angle infinitely variable from 80° to approx. 120° to an exact position in accordance with EN 1155, adjustable (when installed) closing force, closing speed, latching action and back check

Building regulation approval for the use with smoke switch control units GEZE RSZ 5 und RSZ 6 is submitted at DIBt ¹⁾

Door leaf width: min. 1300 mm / max. 2800 mm
Finish: silver

Notice guidelines of DIBt (in Germany)

¹⁾ An additional suitable certificate for the door is necessary with using on smoke and fire doors

ISM/E-ISM guide rail

Boxer size 2-4/3-6, rebated timber door

Dimensions GEZE Boxer size 2-4

- ▶ Min. leaf width
B = 1300 mm
- ▶ Max. leaf width
B = 2200 mm

Min. leaf width of moving leaf
= 540 mm
plus space required for fixed leaf
locking device

Door opening angle approx. 120°

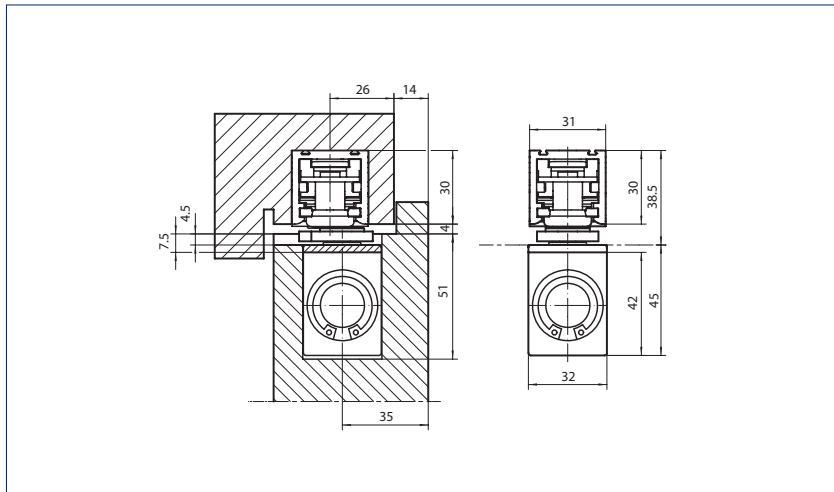


Fig. 10-1 · Dimensions GEZE Boxer size 2-4 (ISM/E-ISM, rebated timber door)

Dimensions GEZE Boxer size 3-6

- ▶ Min. leaf width
B = 1300 mm
- ▶ Max. leaf width
B = 2800 mm

Min. leaf width of moving leaf
= 540 mm
plus space required for fixed leaf
locking device

Door opening angle approx. 120°

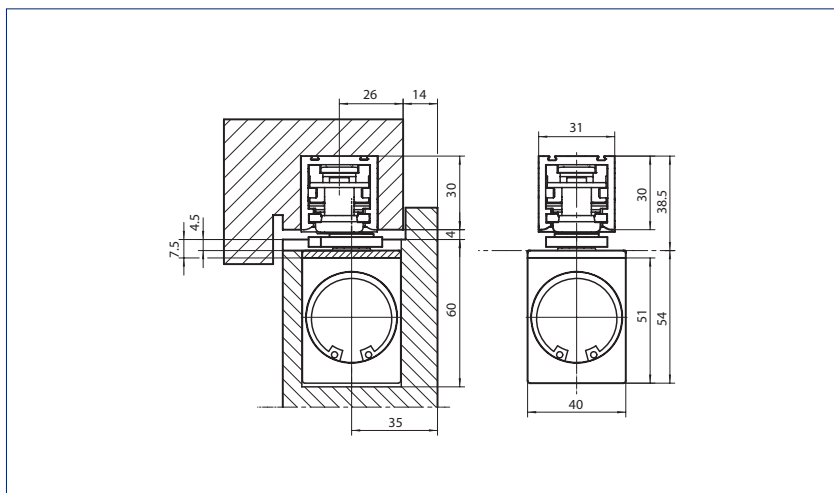


Fig. 10-2 · Dimensions GEZE Boxer size 3-4 (ISM/E-ISM, rebated timber door)

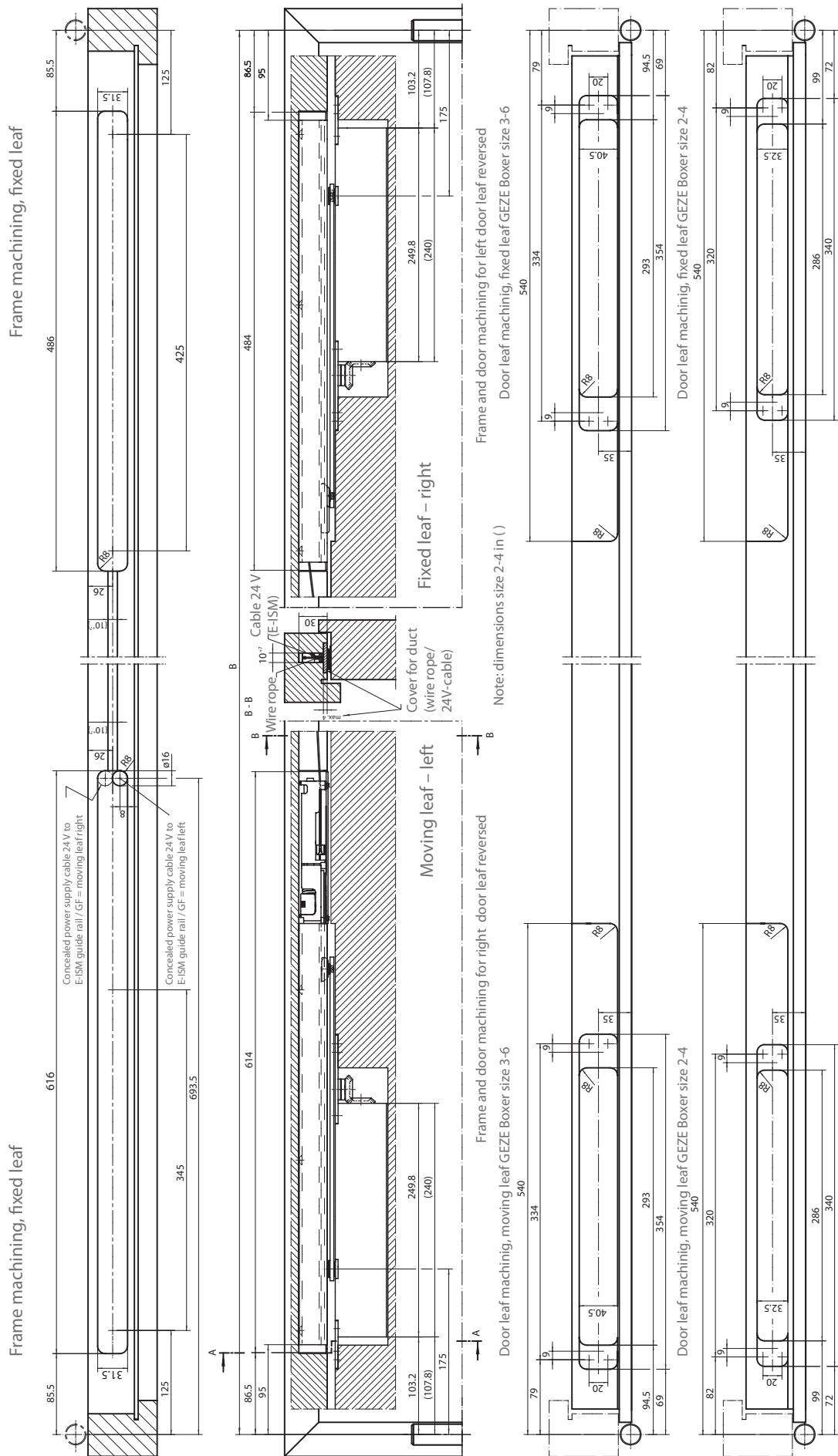
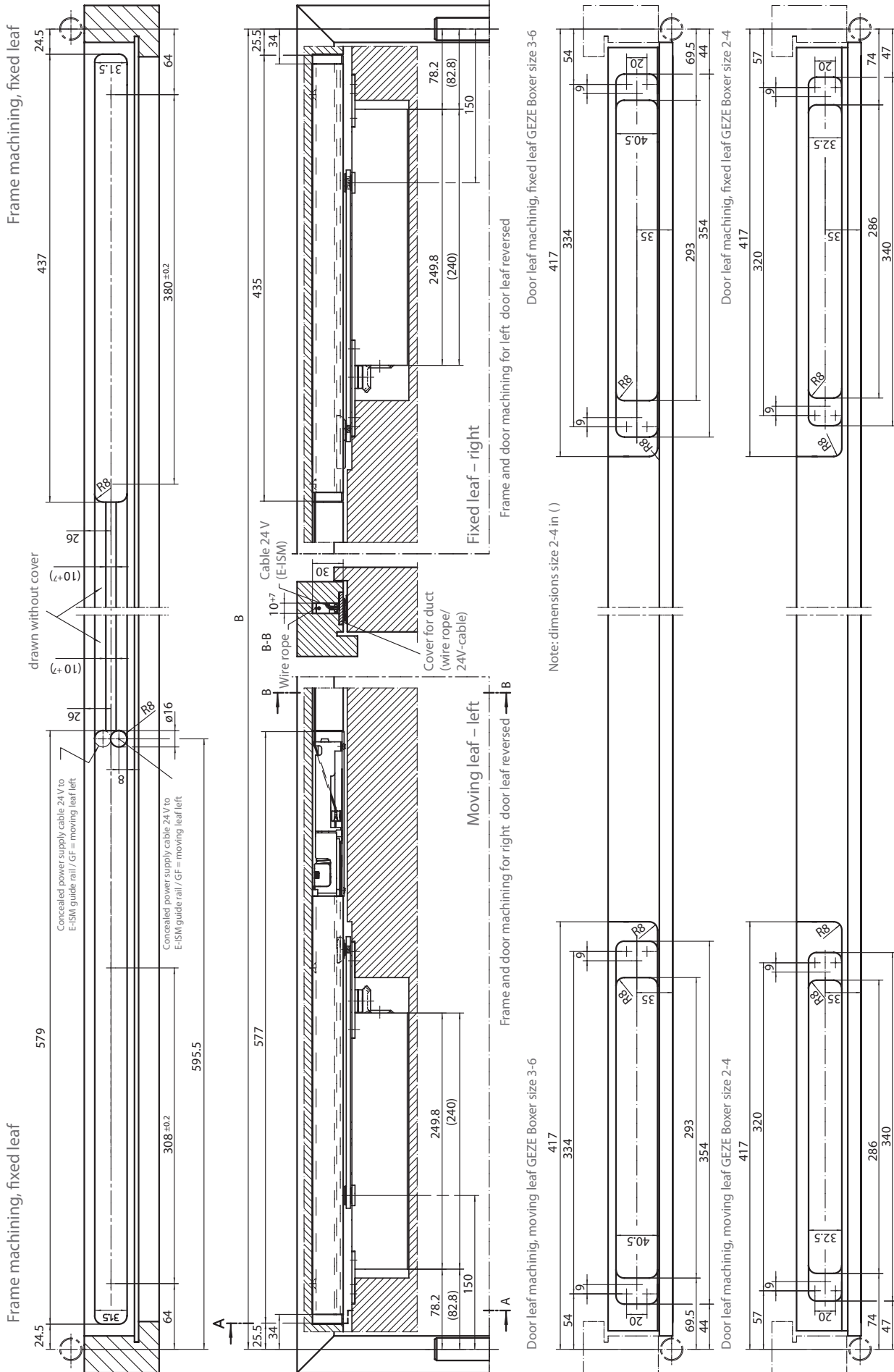


Fig. 11-1 · ISM/E-ISM guide rail Boxer size 2-4/3-6, rebated timber door



12 Fig. 12-1 · ISM/E-ISM guide rail Boxer door leaf width 1130-1300 mm, rebated timber door

ISM/E-ISM guide rail

Boxer size 2-4/3-6, aluminium door

Dimensions GEZE Boxer size 2-4

- ▶ Min. leaf width
B = 1300 mm
- ▶ Max. leaf width
B = 2200 mm

Min. leaf width of moving leaf
= 540 mm
plus space required for fixed leaf
locking device

Door opening angle approx. 120°

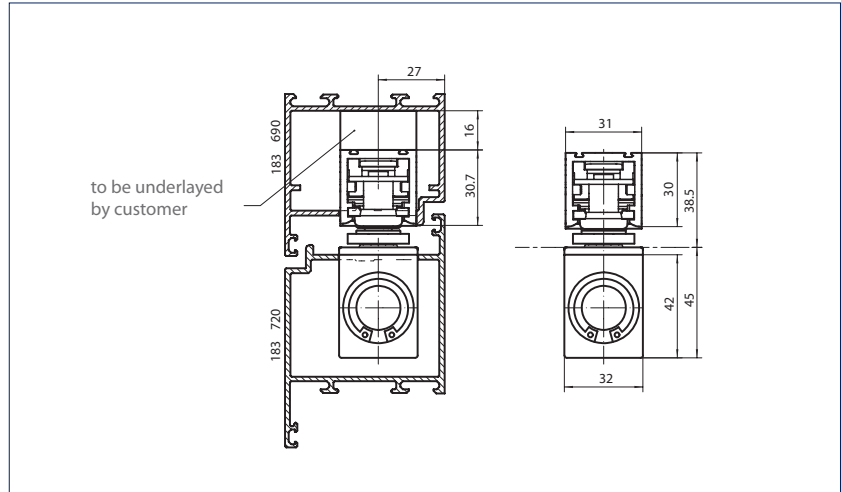


Fig. 13-1 · Dimensions GEZE Boxer size 2-4 (ISM/E-ISM, aluminium door)

Dimensions GEZE Boxer size 3-6

- ▶ Min. leaf width
B = 1300 mm
- ▶ Max. leaf width
B = 2800 mm

Min. leaf width of moving leaf
= 540 mm
plus space required for fixed leaf
locking device

Door opening angle approx. 120°

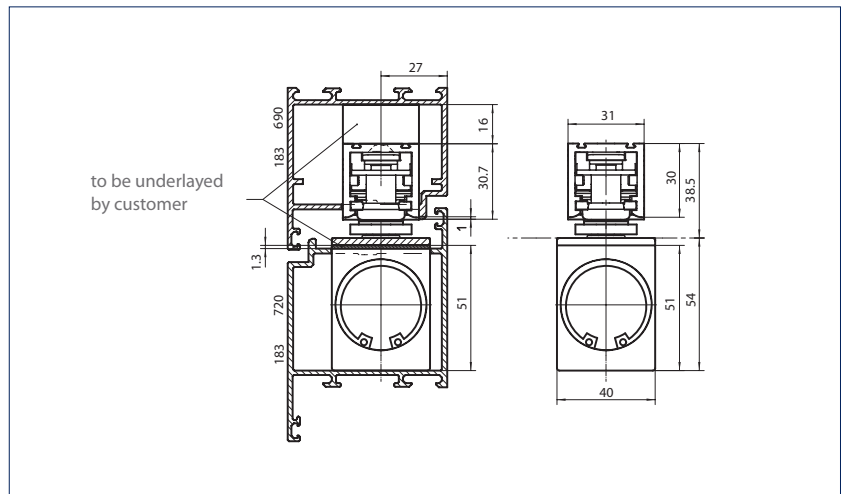


Fig. 13-2 · Dimensions GEZE Boxer size 3-6 (ISM/E-ISM, aluminium door)

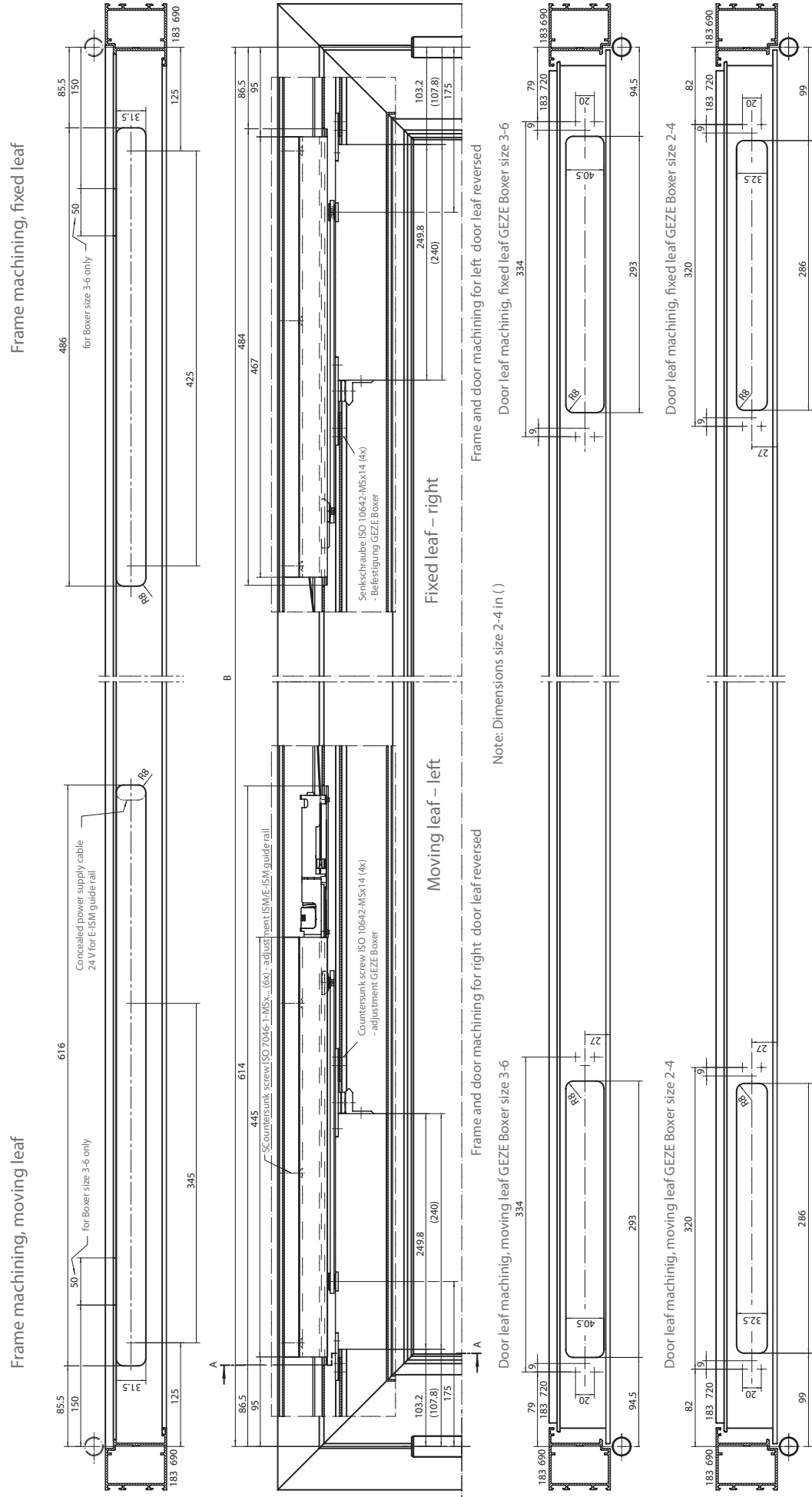


Fig. 14-1 · ISM/E-ISM guide rail Boxer size 2-4/3-6, aluminium door

Smoke switch control unit RSZ 6, Certification No. Z-6.5-1755



GEZE RSZ 6 smoke switch control unit with adaption of the alarm threshold and soiling indicator.

The smoke switch control unit RSZ 6 with integrated 24 V DC power supply unit is both a smoke detector for early detection of fire and also a smoke switch to actuate hold-open systems for fire protection barriers.

Electrical data

- ▶ Smoke detection – optical scattered light principle
- ▶ Voltage supply 230 V AC UP (flush-mounted)
- ▶ Operation voltage 230 V AC, 50 Hz, 6.3 W
- ▶ Total connected load max. 200 mA
- ▶ Ambient temperature 0° to +50° C
- ▶ Short-circuit proof
- ▶ Enclosure rating IP 20

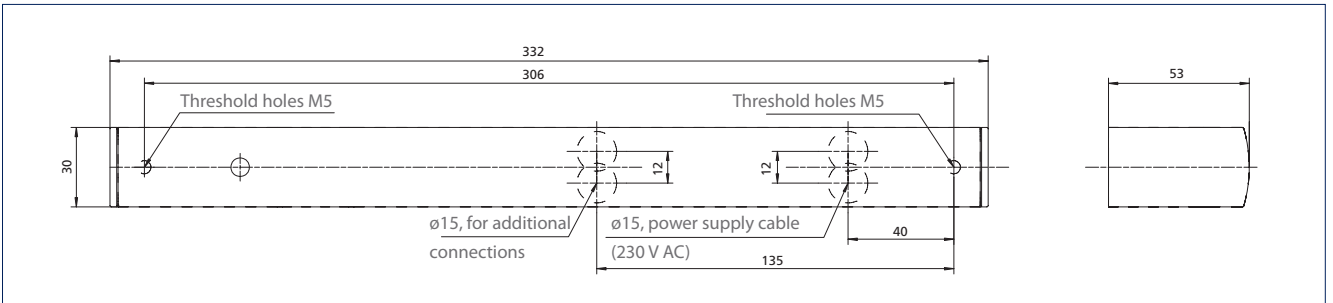


Fig. 15-1 · Dimensions of smoke switch control unit RSZ 6

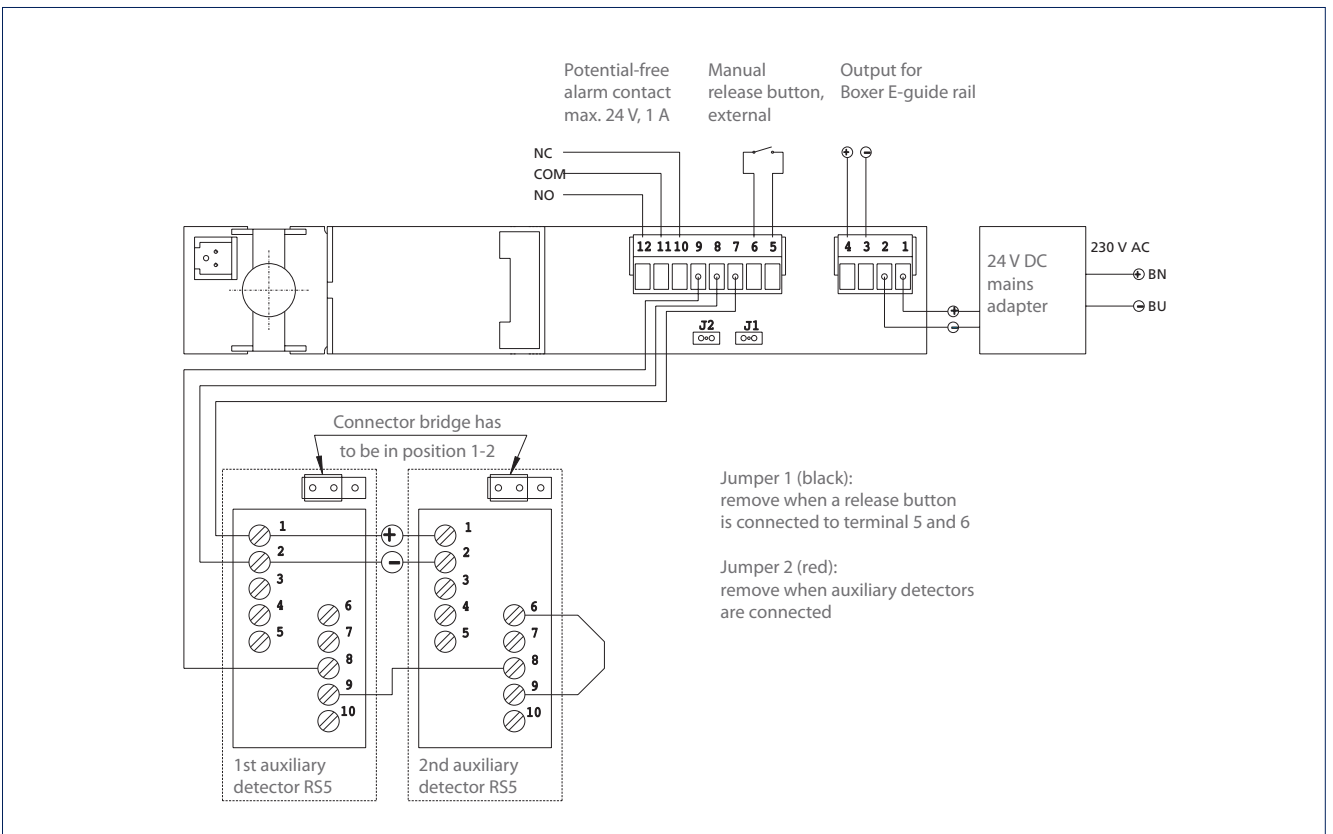


Fig. 15-2 · Connection diagram Boxer E-guide rail to smoke switch control unit RSZ 6

GEZE Boxer EFS size 4

Integrated door closer with freeswing-function

Product features

- ▶ Closing force 4 according to EN 1154 A
- ▶ Closer fully integrated into the door leaf and the guide rail is only visible during opening moment
- ▶ Closing speed and latching action are adjustable when installed
- ▶ Certified according to EN 1155 and by DIBt for the use with GEZE smoke switch control unit RSZ5 and RSZ6
- ▶ Closer carries CE indication
- ▶ Each commercial cable transmission can be used for the 24V supply of the closer which is integrated into the door leaf
- ▶ Low current consumption
45mA with 24 V DC



Application

- ▶ For right hand and left hand single-action doors
- ▶ For single leaf doors
- ▶ Closing force 4 for doors with:
leaf weight max. 130 kg
leaf width max. 1100 mm
for leaf depth from 50 mm

Note:

Due to the guideline for determination plants of the DIBt (German Institution for Construction Technology) a circuit breaker is cogently stipulated when using a door closer with freeswing function.

The integrated door closer Boxer EFS is equipped with a freeswing-function.

The freeswing-function is activated by opening the door to tense the closer spring once. This will ensure that the closer spindle is held in that position in the door closer during the electro-hyraulic hold-open mechanism.

The freeswing-function makes it possible to use the door without the resistance from the closer, for closing and opening. This function is partucularly important in hospitals, nursery schools and sheltered accomodation for the elderly or handicapped persons.

The use on smoke and fire doors is possible but - as well as with Boxer - a separate certificate for applicability for the fire door by the door or system manufacturer is necessary. In case of fire, the door closes automatically, irrespective of the current angle of opening.

GEZE circuit breaker



Surface-mounted version
61 x 61 x 22 mm (H x B x T)



Flush-mounted version
81 x 81 x 13 mm (H x B x T)

Specification text

Integrated freeswing door closer GEZE Boxer EFS EN 4, for single-action doors with leaf depth from 50 mm, according to EN 1155, size 4; with guide rail; with freeswing-function which is activated by opening the door once to approx. 90°, closing speed and latching action adjustable when installed

The closer is completely integrated into the door leaf, the guide rail is only visible when the door is open.

Finish: silver

GEZE circuit breaker:

- () surface-mounted (AP)
- () flush-mounted (UP)

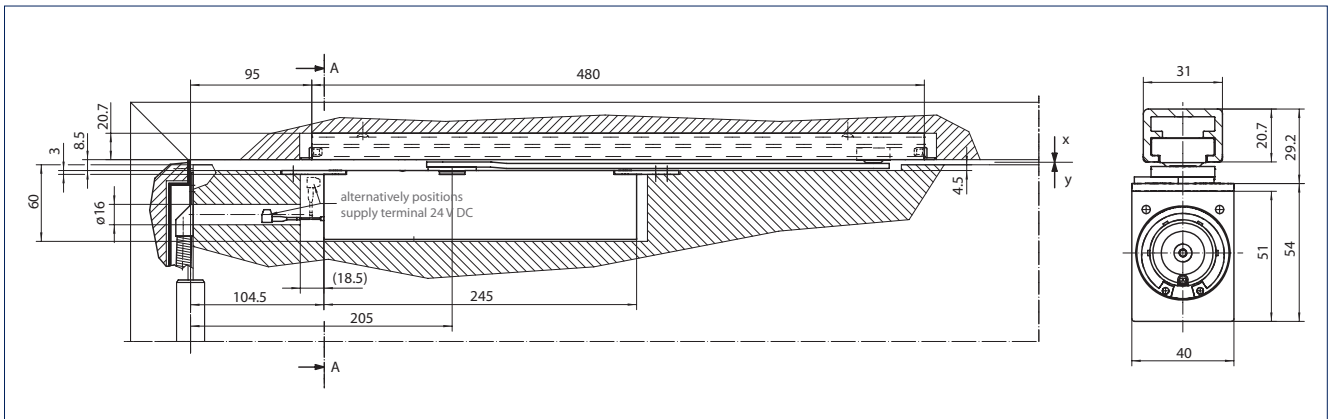


Fig. 17-1 · Integrated freeswing door closer GEZE Boxer EFS size 4 with guide rail

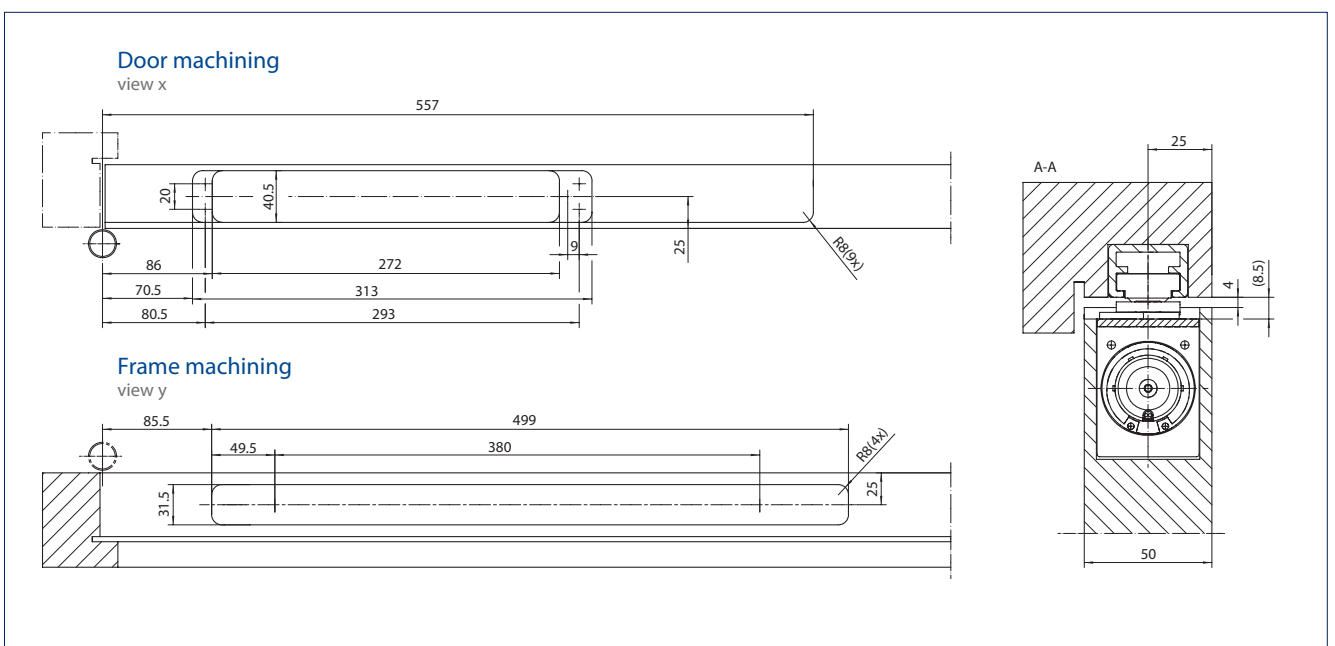


Fig. 17-2 · Integrated freeswing door closer GEZE Boxer EFS size 4 with guide rail (timber door)

GEZE Boxer – Ordering information

Description	Finish	ID No.
GEZE Boxer size 2-4		099728
GEZE Boxer size 2-4 with axis prolonged by 4 mm		101759
GEZE Boxer size 2-4 with axis prolonged by 8 mm		101760
GEZE Boxer size 3-6		099735
GEZE Boxer size 3-6 with axis prolonged by 4 mm		101761
GEZE Boxer size 3-6 with axis prolonged by 8 mm		101762
Guide rail for Boxer, with lever	lever silber	095137
Guide rail for Boxer, with lever and mechanical hold-open ¹⁾	lever silber	095141
Guide rail 30 mm for Boxer, with lever	lever silber	112161
E-guide rail for Boxer, with lever and electromechanical hold-open	lever silber	119640
ISM-guide rail Boxer	lever silber	114141
Mechanical hold-open (retro-fittable at ISM guide rail Boxer) ¹⁾		118437
E-ISM guide rail Boxer	lever silber	114142
Guide rail for Boxer P, with lever	lever silber	104245
Guide rail for Boxer P, with lever and mechanical hold-open ¹⁾	lever silber	104246
E-guide rail for Boxer P, with lever and electromechanical hold-open	lever silber	120077
Smoke switch control unit GEZE RSZ 6	silver dark bronze white RAL 9016 RAL colour	099851 099857 099858 099859
GEZE Boxer EFS size 4 with freeswing-function		108881
Circuit breaker, surface-mounted (AP)		048393
Circuit breaker, flush-mounted (UP)		048394
ISM-guide rail for small doors, leaf width 1130-1300 mm		120894
E-ISM guide rail for small doors, leaf width 1130-1300 mm		120894

¹⁾ In Germany not permitted for use with smoke and fire doors

GEZE Boxer · References



Hotel InterContinental Resort, Berchtesgaden



Kanzleigebäude, Mannheim



LüdLeasing, Stuttgart



**GEZE GmbH**

P.O. Box 1363
71226 Leonberg
Germany

GEZE GmbH

Reinhold-Vöster-Straße 21-29
71229 Leonberg
Germany
Telefon +49 (0) 7152-203-0
Telefax +49 (0) 7152-203-310

www.geze.com

GEZE branch offices**Germany****GEZE GmbH**

Niederlassung Nord/Ost
Bühningstraße 8
13086 Berlin (Weissensee)
Tel. +49 (0) 30-47 89 90-0
Fax +49 (0) 30-47 89 90-17
E-mail: berlin.de@geze.com

GEZE GmbH

Niederlassung West
Nordsternstraße 65
45329 Essen
Tel. +49 (0) 201-83082-0
Fax +49 (0) 201-83082-20
E-mail: essen.de@geze.com

GEZE GmbH

Niederlassung Mitte
Adenauerallee 2
61440 Oberursel (b. Frankfurt)
Tel. +49 (0) 6171-63610-0
Fax +49 (0) 6171-63610-1
E-mail: frankfurt.de@geze.com

GEZE GmbH

Niederlassung Süd
Reinhold-Vöster-Straße 21-29
71229 Leonberg
Tel. +49 (0) 7152-203-594
Fax +49 (0) 7152-203-438
E-mail: leonberg.de@geze.com

GEZE subsidiaries**Germany**

GEZE Sonderkonstruktionen
GmbH
Planken 1
97944 Boxberg-Schweigern
Tel. +49 (0) 7930-9294-0
Fax +49 (0) 7930-9294-10
E-mail: sk.de@geze.com

GEZE Service GmbH

Reinhold-Vöster-Straße 25
71229 Leonberg
Tel. +49 (0) 7152-9233-0
Fax +49 (0) 7152-9233-60
E-mail: info@geze-service.com

GEZE Service GmbH

Niederlassung Berlin
Bühningstraße 8
13086 Berlin (Weissensee)
Tel. +49 (0) 30-470217-30
Fax +49 (0) 30-470217-33

Europe**Benelux**

GEZE Benelux B.V.
Leemkuil 1
Industrieterrein Kapelbeemd
5626 EA Eindhoven
Tel. +31 (0) 40-26290-80
Fax +31 (0) 40-26290-85
E-mail: benelux.nl@geze.com

France

GEZE France S.A.R.L.
ZAC de l'Orme Rond
RN 19
77170 Servon
Tel. +33 (0) 1-60626070
Fax +33 (0) 1-60626071
E-mail: france.fr@geze.com

Great Britain

GEZE UK Ltd.
Blenheim Way
Fradley Park
Lichfield
Staffordshire WS13 8SY
Tel. +44 (0) 1543-443000
Fax +44 (0) 1543-443001
E-mail: info@geze-uk.com

Italy

GEZE Italia Srl
Via Giotto 4
20040 Cambiago (MI)
Tel. +39 02 95 06 95-11
Fax +39 02 95 06 95-33
E-Mail italia.it@geze.it

GEZE Engineering Roma Srl
Via Lucrezia Romana 91
00178 Roma
Tel. +39 06-7265311
Fax +39 06-72653136
E-mail: gezeroma@libero.it

GEZE Engineering Bari Srl
Via Treviso 58
70022 Altamura (Bari)
Tel. +39 080-3115219
Fax +39 080-3164561
E-mail: gezebari@libero.it

Austria

GEZE Austria GmbH
Mayrwiesstraße 12
5300 Hallwang b. Salzburg
Tel. +43 (0) 662-663142
Fax +43 (0) 662-663142-15
E-mail: austria.at@geze.com

Poland

GEZE Polska Sp. z o.o.
ul. Annopol 3 (Zeran Park)
03-236 Warszawa
Tel. +48 (0) 22-8142211
Fax +48 (0) 22-6142540
E-mail: geze@geze.pl

Switzerland

GEZE Schweiz AG
Bodenackerstrasse 79
4657 Dulliken
Tel. +41 (0) 62-285 54 00
Fax +41 (0) 62-285 54 01
E-mail: schweiz.ch@geze.com

Spain

GEZE Iberia S.R.L.
Pol. Ind. El Pla
C/ Comerç, 2-22, Nave 12
08980 Sant Feliu de Llobregat
(Barcelona)
Tel. +34-(0) 9-02 19 40 36
Fax +34-(0) 9-02 19 40 35
E-mail: iberia.es@geze.com

Scandinavia**Sweden**

GEZE Scandinavia AB
Mallslingan 10
Box 7060
18711 Täby
Tel. +46 (0) 8-7323-400
Fax +46 (0) 8-7323-499
E-mail: sverige.se@geze.com

Norway

GEZE Scandinavia AB avd. Norge
Postboks 63
2081 Eidsvoll
Tel. +47 (0) 639-57200
Fax +47 (0) 639-57173
E-mail: norge.se@geze.com

Finland

GEZE Finland
Branch office of GEZE Scandinavia AB
Postbox 20
158 71 Hollola
Tel. +358 (0) 10-400 51 00
Fax +358 (0) 10-400 51 20
E-mail: finland.se@geze.com

Denmark

GEZE Danmark
Branch office of GEZE Scandinavia AB
Hoje Taastrup Boulevard 53
DK-2630 Taastrup
Tel. +45 46 32 33 24
Fax +45 46 32 33 26
E-mail: danmark.se@geze.com

Middle East**U.A.E.**

GEZE Middle East
P.O. Box 17903
Jebel Ali Free Zone
Dubai
Tel. +971 (0) 4-8833112
Fax +971 (0) 4-8833240
E-mail: geze@emirates.net.ae

Asia

GEZE Industries (Tianjin) Co., Ltd.
Shuangchenzhong Road
Beichen Economic Development
Area (BEDA)
Tianjin 300400, P.R. China
Tel. +86 (0) 22-26973995-0
Fax +86 (0) 22-26972702
E-mail: geze@public1.tpt.tj.cn

GEZE Industries (Tianjin) Co., Ltd.

Branch Office Shanghai
Rm. 3010 Building No. 2
3 Hongqiao Road
200030 Shanghai, P.R. China
Tel. +86-(0)21-52 34 09-60/-61
Fax +86-(0)21-64 47 20 07
E-mail: gezesh@geze.com.cn

GEZE Industries (Tianjin) Co., Ltd.

Branch Office Guangzhou
Room 1113, Jie Tai Plaza
218-222 Zhong Shan Liu Road
510180 Guangzhou
P.R. China
Tel. +86 (0) 20-813207-02
Fax +86 (0) 20-813207-05
E-mail: gezegz@public2.sta.net.cn

GEZE Industries (Tianjin) Co., Ltd.

Branch Office Beijing
No. 6-32 Building, Jili Avenue
Daxing District
Chaoyang District
Tel. +86-(0)10-87 97 51-77/-78
Fax +86-(0)10-87 97 51-71
E-mail: gezebj@geze.com.cn

GEZE Asia Sales Ltd.

No. 88-1-408, East Road
Free Trade Zone of Tianjin Port
Tianjin, P.R. China
Tel. +86 (0)22-26 97 39 95-0
Fax +86 (0)22 26 97 27 02
E-mail: geze@public1.tpt.tj.cn

GEZE Sonderkonstruktionen

(Tianjin) Ltd.
No. 6-32 Building, Jili Avenue
Daxing District
Chaoyang District
100076 Beijing, P.R. China
Tel. +86 (0) 10-87 96 51-52
Fax +86 (0) 10-87 97 14-76

GEZE Representative