

Cylinders - Traditional

 7A
Cylinders -
Traditional

Oval Profile - Double Cylinder

2X6

Application:

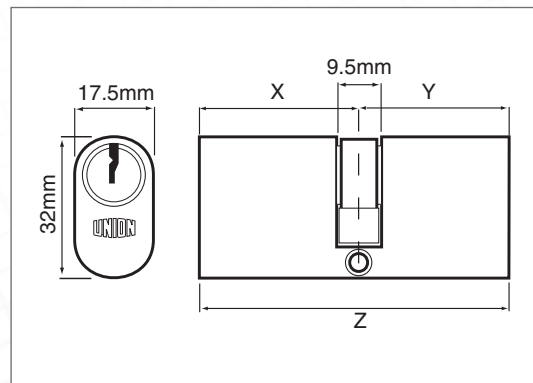
- Key & key (double) cylinder
- For use with UK oval profile lock cases

Operation:

- Key operated from both sides to lock or unlock

Keying:

- Extensive differs, available both 5 or 6 pin
- May be supplied to differ, keyed alike or keyed to pass
- May be supplied master keyed
- Construction keying, clutch release and classroom functionality available
- Can be keyed with other cylinder products such as padlocks, outside locking devices and cabinet locks, which use the same key section
- For master key information see pages 0.8 and 0.9 or check with the UNION area manager responsible for your area
- Supplied with 3 steel nickel plated keys as standard. Masterkeyed products supplied with nickel silver keys
- Please advise when ordering if the cylinder is for use with an outside access device


Cylinder lengths:

Charts opposite show a selection of sizes. For full listings of available measurements see pages 7A.3, 7A.4 and 7A.5

Cylinder compatibility:

Please check cylinder compatibility when specifying non UNION lock cases

Key Blank number:

KB502

Finishes:

- SC - Satin Chrome
- PL - Brass
- CH - Polished Chrome

Standards:

Ordering Code Example:

J 2X13 - SC - AA

(Boxed - Product - Finish - Cylinder Size)

Example - Ordering an Equal Length Key & Key (Double) or Key and Turn Cylinder

Order Size	Overall Cylinder Length	Keyside or Turnside to Centre of Cam	Keyside to Centre of Cam	5/6 pin
AA	64.8	32.4	32.4	5 pin only
BB	73.6	36.8	36.8	5/6 pin
CC	82.4	41.2	41.2	5/6 pin
DD	91.0	45.5	45.5	5/6 pin

Example - Ordering an Offset Key & Key (Double) or Key and Turn Cylinder

Order Size	Overall Cylinder Length	Keyside or Turnside to Centre of Cam	Keyside to Centre of Cam	5/6 pin
AB	69.2	32.4	36.8	5 pin only
AC	73.6	32.4	41.2	5 pin only
AD	77.9	32.4	45.5	5 pin only
BA	69.2	36.8	32.4	5 pin only
BC	78.0	36.8	41.2	5/6 pin
BD	82.3	36.8	45.5	5/6 pin
CA	73.6	41.2	32.4	5 pin only
CB	78.0	41.2	36.8	5/6 pin
CD	86.7	41.2	45.5	5/6 pin
DA	77.9	45.5	32.4	5 pin only
DB	82.3	45.5	36.8	5/6 pin
DC	86.7	45.5	41.2	5/6 pin

Oval Profile - Double Cylinder and Turn

 2X29 / 2X88 / 2X83
2X13 / 2X69

Application:

- Double cylinder with Turn
- For use with UK oval profile lock cases

Operation:

- Turn to lock or unlock
- Choice of 5 different cylinder turns

- Large flat turn (2X83) facilitates easy access and assists in fulfilling duties required under the Disability Discrimination Act (DDA)
- For information on keying, cylinder lengths, key blanks, finishes and standards please see above

Ordering:

- For ordering code example see page 7A.7

Cylinders - Traditional

Oval Profile - Turn Options

 2X29 / 2X88 / 2X83
2X13 / 2X69
