

# Eximo Range - BS EN179

EPL804N

Emergency Push Pad Latch



ASSA ABLOY

## Application:

- For areas not accessed by the public where panic is not foreseen
- Suitable for push face of outward opening doors
- Fixings to suit timber or metal doors

## Specification:

- Downward pressure on push pad withdraws the latch bolt ensuring immediate release of the door
- Bolt projection: 14mm
- Complete with signage and pictorial fixing instructions
- **Non-handed** for maximum flexibility
- Compatible with UNION OAD805N Outside Access Device
- Max. Door Width: 1300mm
- Min. Door Width: 750mm
- Max. Door Height: 2500mm
- Max. Door Mass: 200kg

## Finish:

- SIL - Silver (RAL 9006)



## Standards:

- CE marked to BS EN 179
- Included in fire tests to BS EN 1634-1  

3	7	6	B	1	3	4	2	B	B
---	---	---	---	---	---	---	---	---	---
- Signage as required by BS EN 179 annex A19, coloured green & white as detailed in BS 5499
- If in doubt use products which comply to BS EN 1125 for situations where panic is foreseen



# Eximo Range - BS EN179

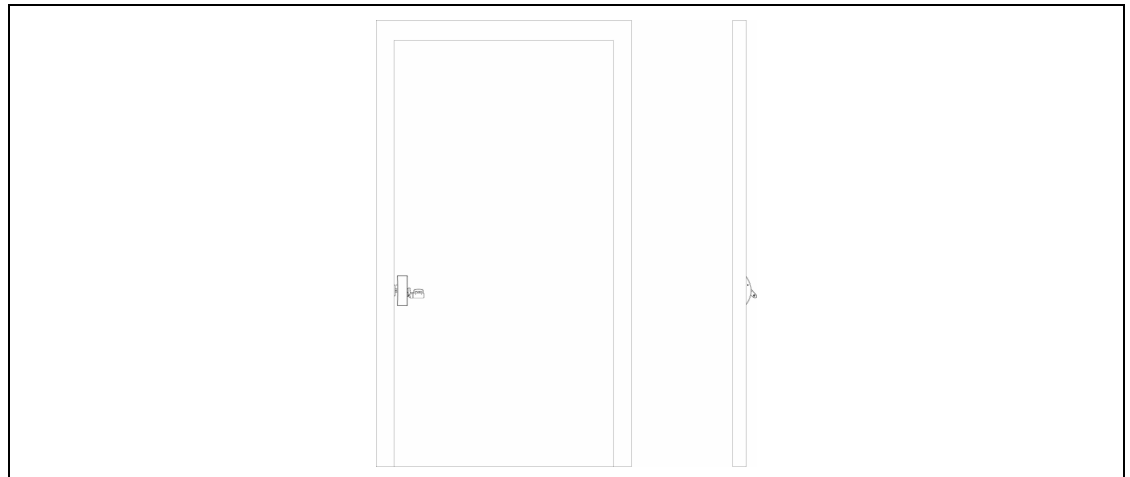
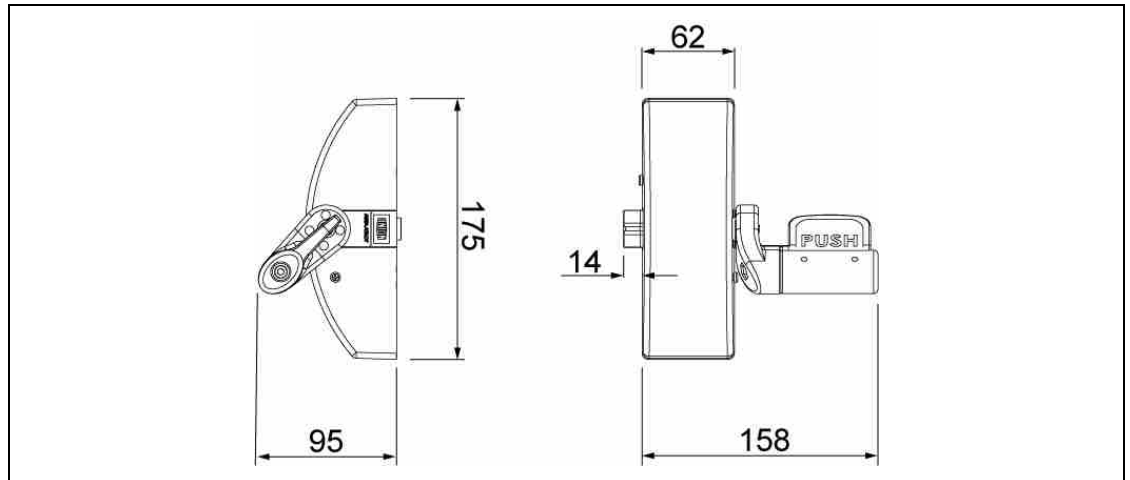
EPL804N

Emergency Push Pad Latch



ASSA ABLOY

Technical Design:



Variants:

J-EPL804N-SIL-W	Single Door Emergency Push Pad Latch, Timber Fixings, Sil Finish
J-EPL804N-SIL-M	Single Door Emergency Push Pad Latch, Metal Fixings, Sil Finish