

BS 5 Lever & 5 Lever Mortice

5 Lever Mortice Sash Lock

2201

Application:

- For timber doors hinged on the left or right
- Keys suitable for use on doors up to 54mm thick

Operation:

- Deadbolt locked or unlocked by key from either side
- Latch bolt withdrawn by lever handle from either side
- May be keyed alike with 2101 and 2401
- Pierced to accept bolt through furniture

Specification:

Reference	2201
Case Size	65mm (2.5") or 77.5mm (3")
Backset	44.5mm or 57mm
Case	Steel, red powder coat
Forend	Stainless steel or brass
Striking Plate	Finished to match forend
Deadbolt	Brass, with hardened steel rollers
Latch Bolt	Brass, easily reversible
Follower	Brass, 8mm square
Rebate Kit	2989 (13, 19 or 25mm sizes)
Keying Groups	May be supplied to pass or differ. Supplied with 2 steel nickel plated keys
Key Blank Number	KB430
Keying	600 standard differs (keys are not numbered for security purposes)

NB: Not suitable for master keying

Features:

- Security box striking plate
- Easily reversible latch bolt from outside of case
- Available with square forend and striking plate



Finishes:

- SC - Satin Chrome finish
- PL - Brass finish

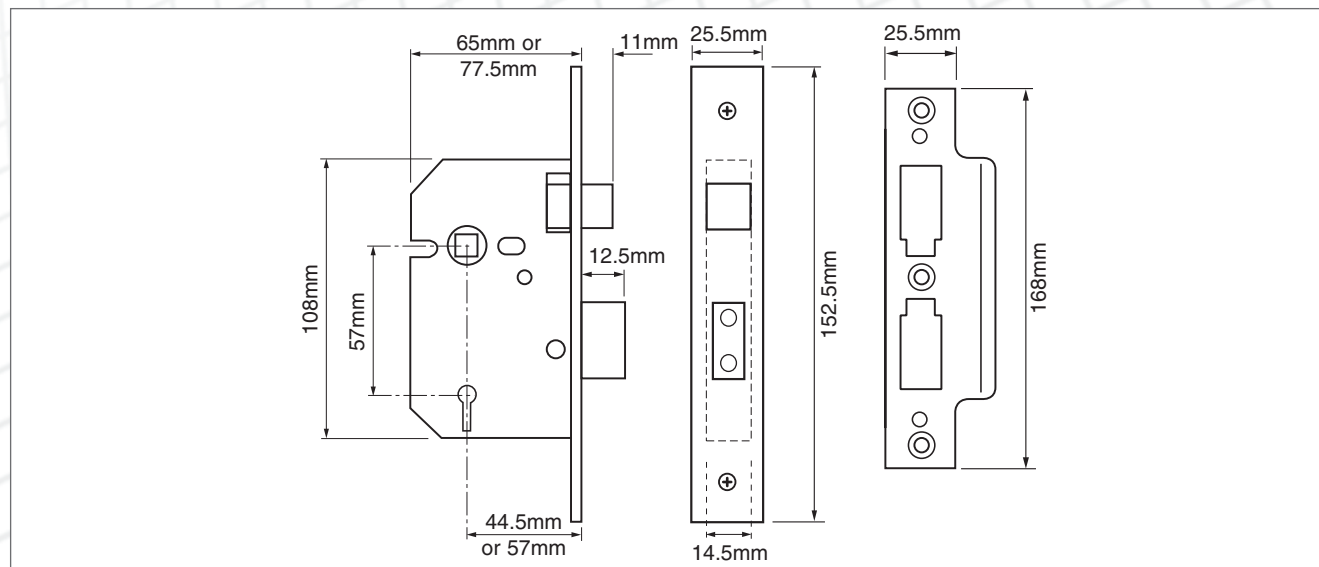
Standards:



- EN 1634-1 assessed for use on 60 minutes timber fire doors

Ordering Code Example:

J 2201 - PL - 2.50
 (Boxed - Product Code - Finish - Case Size)
 Y 2201 - PL - 2.50
 (Visi Packed - Product Code - Finish - Case Size)



2F BS 5 Lever and 5 Lever Mortice