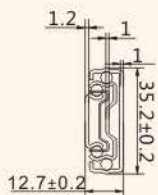
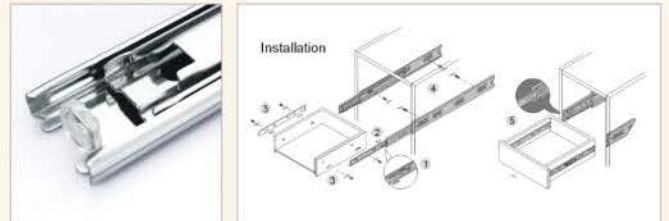
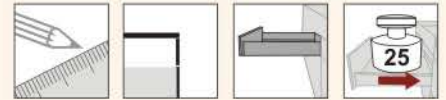


BS3501

35 Series Full Extension Ball Bearing Slide

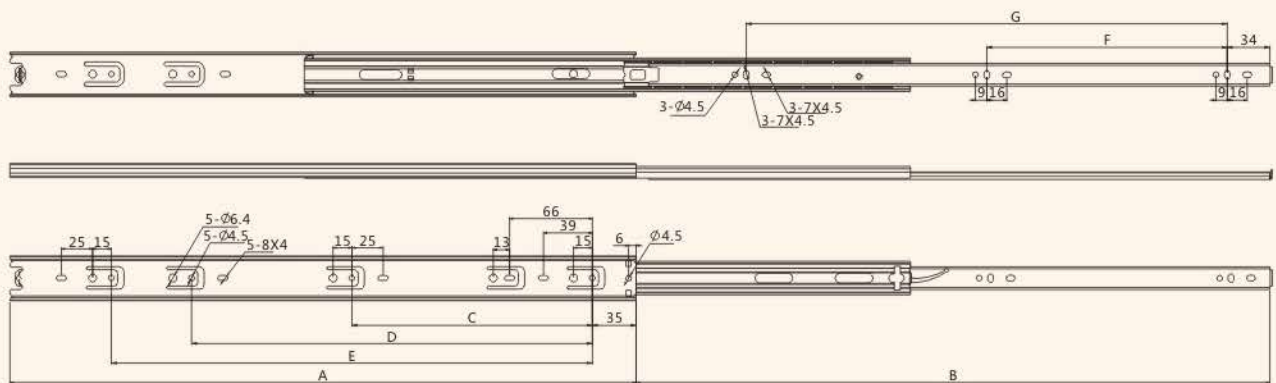
35系列三节全展走珠滑轨

- Material: Work hardened cold rolled steel
- Load capacity: 25kgs/450mm
- Finish: Zinc plated/ Black
- The installation gap between rail is: 12.7+/-0.2mm
- Thickness: 1.0/1.0/1.2
- Size: 250mm-700mm
- Full extension with stopper
- Single way travel&Round profile



Product Drawings

产品图纸



订货号 Item No.	A ⁺⁰ _{-0.5}	B ⁺³ ₋₃	C ^{+0.3} _{-0.3}	D ^{+0.3} _{-0.3}	E ^{+0.3} _{-0.3}	F ^{+0.3} _{-0.3}	G ^{+0.3} _{-0.3}	包装(套/箱) Packing(set/ctn)
BS3501-250	250	250	160	--	--	192	--	15
BS3501-300	300	300	224	--	--	96	224	15
BS3501-350	350	350	224	--	--	128	256	15
BS3501-380	380	380	224	--	--	128	256	15
BS3501-400	400	400	224	320	--	128	320	15
BS3501-450	450	450	224	352	--	160	352	15
BS3501-500	500	500	224	352	--	192	384	15
BS3501-550	550	550	224	352	448	224	448	15
BS3501-600	600	600	224	352	448	224	480	15